



Series 3000

CWDM Multiplexer & Demultiplexer

CWDM

- Multiplexes up to 8 L-Band & IF channels
- Reduce cost of leasing or laying fiber
- Thin film filter technology gives reliable and cost-effective performance
- 1 RU Box for simple installation
- Protocol transparent



Foxcom's Coarse Wavelength-Division Multiplexer (CWDM) can combine up to 8 fiber outputs from Foxcom fiberoptic transmitters into one single fiber. Each transmitter transmits on a different optical wavelength. CWDM technology uses ITU standard 20 nm spacing between the wavelengths, from 1470 nm to 1610 nm. Each wavelength is transmitted on a separate single mode fiberoptic cable and then multiplexed onto a single fiber. Foxcom's Coarse Wavelength-Division Demultiplexer reverses the process, separating the light into 8 separate fiber paths.

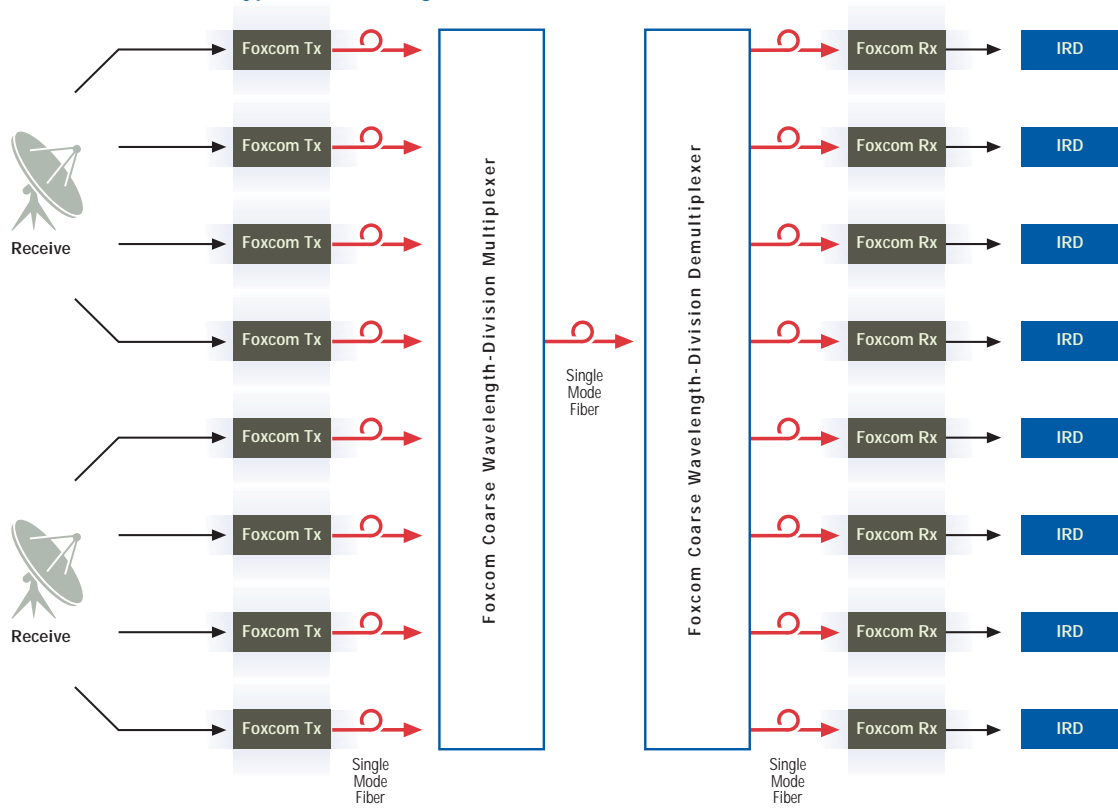
With Foxcom's CWDM solution, transmitting multiple L-Band and 70/140 IF Band signals over a single fiber becomes a simple and cost effective process. CWDM overcomes the need for installing new fiber or leasing cables. By using Foxcom's CWDM solution, transmission distances up to 50 kilometers can be achieved.

Buy Now!



FOXCOM

Typical Block Diagram



Ordering Information

Description	Model
Multiplexer	3000M
Demultiplexer	3000E

Specifications

	MUX	DEMUX
Channel center wavelengths	1471, 1491, 1511, 1531, 1551, 1571, 1591, 1611 nm	
Channel center wavelength separation		20 nm
Channel bandwidth at channel insertion loss		>13 nm
Insertion loss	<2.4 dB	<2.7 dB
Link loss with mux/demux combination		4 dB
Optical return loss		50 dB
Adjacent channel isolation	-	>30 dB
Non-adjacent channel isolation	-	>50 dB
Channel uniformity with mux/demux combination		<0.8 dB
Total input power		500 mW max
Polarization dependent loss		0.1 dB
Wavelength thermal stability		0.005 nm/°C
Operating temperature		-10°C to +70°C
Storage temperature		-40°C to +85°C
Dimensions (inches)		1U x 19 x 12

Specifications do not include connectors.



Digisat International Inc.
 4195 W. New Haven Ave., Suite 15
 Melbourne, FL 32904
 USA
 +1-321-676-5250
 Email: sales@digisat.org
 http://www.digisat.org