

Intellian® FB150

Compact Marine FleetBroadband Antenna System

Intellian® FB150 is a high performance satellite communication solution designed to provide global, high quality data & voice for business, operational or recreational applications in a compact size and light weight Above Deck Unit with the optional matching dome solution and simple user-installation. The innovative true IP solution providing numerous benefits including:

- **Inmarsat's global broadband I4 satellite coverage**
- **Simultaneous voice and data service**
- **Compact and reliable hardware**
- **IP connection for e-mail, Internet, fax and SMS**
- **LAN interface and single-user and multi-user router features**
- **IP Handset interface**
- **Matching dome solutions with the Intellian i-Series (Marine Satellite TV Antenna System)**



Compact Global Maritime Terminal

Weighing just 9 lbs and 17.3 inch high, the Intellian FB150 is a compact FleetBroadband maritime terminal.

Data & Voice Simultaneous Access

With 150kbps data rates, FB150 provides simultaneous access to data services, voice and text messaging.

Reliable Hardware

Operating on the Inmarsat FleetBroadband Satellite System and reliable mechanic construction approved to Intellian standards, you can be confident of both the quality of the equipment and the support behind it.

Continuous GPS Output

The continuous GPS output feature allows GPS data to be sent out via the RS232 port in standard NMEA 0183 format. With the built-in GPS module, the FB150 is able to provide accurate position information to onboard navigation systems such as plotters and radars.

IP Handset

The rugged new plug-and-play IP Handset provides an intuitive user interface with a 2" TFT color screen and mobile phone type keys for making phone calls, texting SMS messages just like on shore.

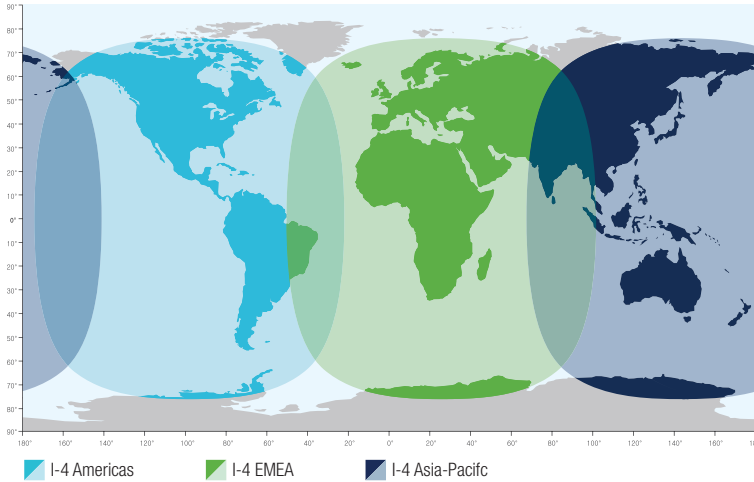
Matching Dome Solutions

Various matching size domes are available for Intellian FB150 together with Intellian i-Series (i4, i6), satellite TV antenna systems. Now you can select a perfectly matched dome for the best appearance on your vessel.

Intellian® FB150

Compact Marine FleetBroadband Antenna System

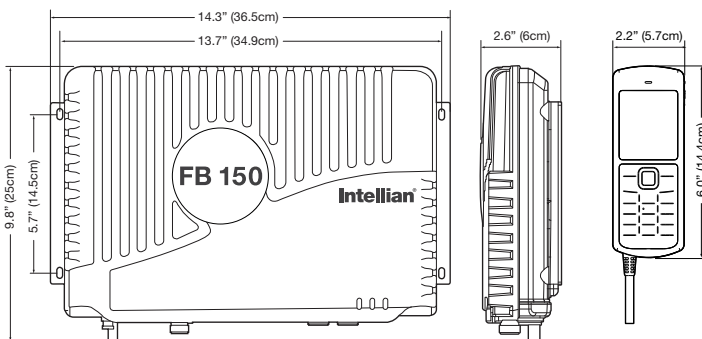
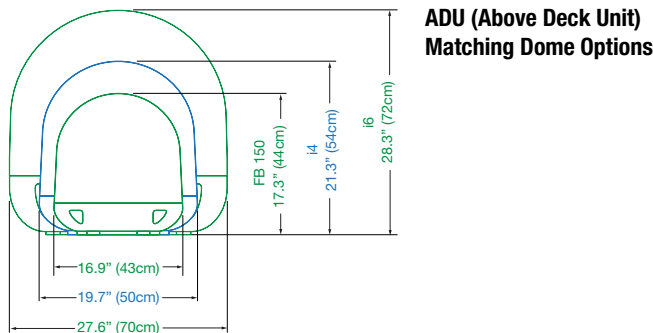
Inmarsat FleetBroadband Global Coverage



I-4 Americas I-4 EMEA I-4 Asia-Pacific

This map depicts Inmarsat's expectations of coverage, but does not represent a guarantee of service. The availability of service at the edge of coverage areas fluctuates depending on various conditions.

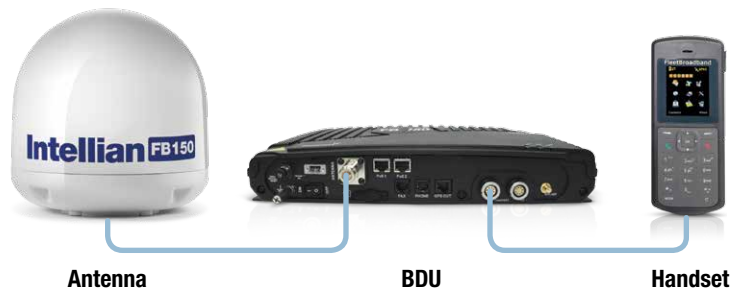
System Dimension



Technical Specifications

Part	Specifications
Intellian FB150	Inmarsat FleetBroadband 150 Marine Satellite Communication Antenna System
Dimension and Weight	
ADU	17.3 x 16.9 in (44 x 43cm) / 9 lbs (4.1kg)
BDU	14.1 x 9.8 x 2.6 in (36 x 25 x 6.7 cm) / 8.5 lbs (3.9 kg)
Environmental Conditions	
Operating Temperature	-13°F to +131°F (-25°C to +55°C)
Operating Humidity	[ADU] EN60945, [BDU] 95% non-condensing at +40°C
Water Ingress	[ADU] IP56, [BDU] IP31
Approvals	Inmarsat FleetBroadband/ RTTE/ CE/ FCC
Warranty	3 Years Parts and 1 Year Labor
Global Services	
Voice	Digital 4 kbps Voice
Standard IP	Up to 150 kbps
SMS	Up to 160 characters (3G standard)
FAX	Group 3 (via 3.1KHz Audio)
Airtime Service	Inmarsat airtime
Frequency Band	
Rx	1518.0 MHz – 1559.0 MHz
Tx	1626.5 MHz – 1675.0 MHz
Ch. Width	[Rx] 10.5 - 189 kHz, [Tx] 21 - 189 kHz
Power Supply and Consumption	
DC Input Range	10 - 32V DC (isolated)
Power (max)	150W @ 10 - 32V (including antenna)

System Diagram



Intellian®

ISO9001 / ISO14001 Certified
www.intelliantech.com

HQ/Innovation Center/Factory
Intellian Technologies, Inc.
348-5 Chungho-Ri, Jimwi-HMyeon
Pyeongtaek-Si, Gyeonggi-Do 451-862 Korea

T +82 31 379 1000
F +82 31 377 6185

Seoul Office APAC
Intellian Technologies, Inc.
2F Dongik Building, 98 Nonhyun-Dong
Gangnam-Gu, Seoul 135-010 Korea

T +82 2 511 2244
F +82 2 511 2235

Irvine Office Americas
Intellian Technologies USA, Inc.
9004 Research Drive
Irvine, CA 92618 USA

T +1 949 727 4498
Toll Free +1 888-201-9223
F +1 949 271 4183

Rotterdam Office EMEA
Intellian B.V.
Bristolstraat 1, 3047AB
Rotterdam, The Netherlands

T +31 1 0820 8655
F +31 1 0820 8656

Southampton Office
Intellian Ltd.
Epsilon House, Enterprise Road,
Southampton Science Park,
Southampton, Hampshire SO16 7NS, UK

T +44 2380 019 021
F +44 2380 767 092

Intellian has more worldwide offices. Addresses, phone numbers, and fax numbers are listed on the Intellian Website at www.intelliantech.com