

Intellian v240MT

2.4m Multi-Orbit (MEO/GEO)
Tri-band (C/Ku/Ka) Automatic Switching



| GEO & MEO Capable in 3 Frequency Bands

The innovative RF design and band switching technologies support commercial C-band, Ku-band and Ka-band services. Tracking both geostationary Earth orbit (GEO) satellites, as well as satellites in medium Earth orbit (MEO), enables operation on virtually any satellite network and ensuring compatibility for the future as new satellite constellations are launched.

| Intelligent Mediator

The system is capable of switching multiple antennas. Two antennas may be tracking moving MEO satellites while a third could be pointed at a fixed GEO satellite. If one antenna becomes blocked by a part of the ship, the system will automatically select the next best solution and switch without any loss of connection for those on-board. All this happens automatically, without any intervention.

| Flexible Solution Architecture

v240MT's provide great flexibility in on-board systems configuration. Multiple antennas can be incorporated into one complete integrated shipboard solution. Operating across three different frequency bands at the same time, when configured with three antennas along with multiple modems.

| Dual Data Centers

Supporting Dual Data Centers on a ship ensures uninterrupted connectivity. The identical mirrored systems, including a full complement of antenna controllers, Intelligent Mediators and satellite modems, can handle instant changeover between each other with no manual intervention, an important factor in crew safety and vessel operations.

Buy Now!



Intellian

Connect with the best

Intellian v240MT 2.4m Multi-orbit (MEO/GEO) Tri-band (C/Ku/Ka) Automatic Switching

Technical Specifications

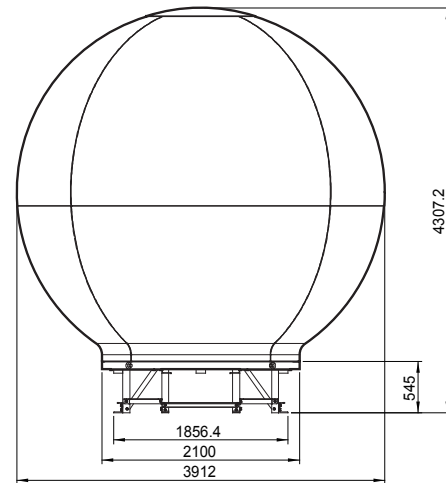
Physical	
Radome Height	431 cm / 169.5"
Radome Diameter	391 cm / 154"
Reflector Diameter	240 cm / 94.5"
Antenna Weight	960 kg / 2116 lbs
Stabilized Pedestal Assembly	
Platform	3-axis : Azimuth, Elevation, Cross-level
Azimuth Range	Unlimited
Elevation Range	-15° to +120°
Cross-level Range	±30°
Stabilized Accuracy	0.2° peak mis-pointing @ max ship motion condition
Motor Brake System	Elevation, Cross level
Reflector & Feed Assembly	
TX Frequency	C-band : 5.85 GHz ~ 6.425 GHz Ku-band : 13.75 GHz ~ 14.5 GHz Ka-band : 27.5 GHz ~ 30.0 GHz
TX Gain	C-band : 41.0 dBi @ 6.425 GHz Ku-band : 48.4 dBi @ 14.25 GHz Ka-band : 51.0 dBi @ 28.5 GHz
RX Frequency	C-band : 3.625 GHz ~ 4.2 GHz Ku-band : 10.7 GHz ~ 12.75 GHz Ka-band : 17.7 GHz ~ 20.2 GHz
RX Gain	C-band : 37.3 dBi @ 3.91 GHz Ku-band : 46.7 dBi @ 11.8 GHz Ka-band : 48.5 dBi @ 18.7 GHz
G/T	C-band : 18.1 dB/K @ 3.91 GHz Ku-band : 27.4 dB/K @ 12.75 GHz Ka-band : 24.0 dB/K @ 18.7 GHz
BUC Power	C-band 100 W ~ 250 W Ku-band 40 W ~ 125 W Ka-band 40 W
Polarization	C-band : Circular & Linear Ku-band : Linear (Cross Pol & Co Pol) Ka-band : Circular (Cross Pol & Co Pol)

* 168" sized Radome available as an option.

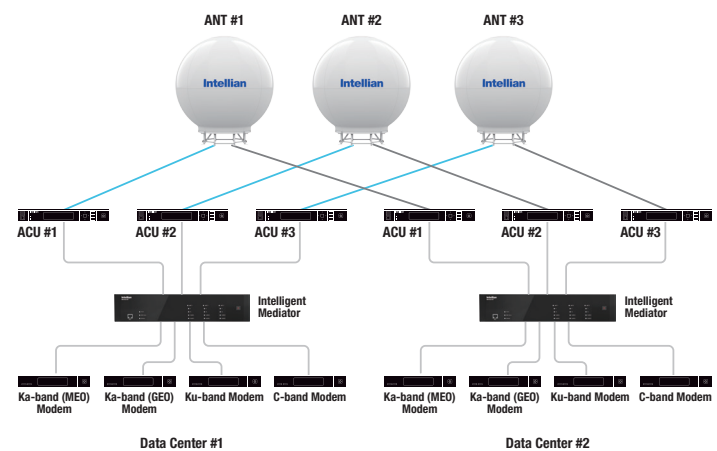
Key Features

- Multi-orbit and Tri-band supported
- Mix and Match frequency and satellite types
- Dual Data Centers - on-board resiliency
- Smart MEO Satellite Handover function
- Fiber Optic systems interconnect

System Dimension



System Diagram



Intellian

Global HQ
Innovation Center
Intellian Technologies, Inc
T +82 31 379 1000
F +82 31 377 6185

APAC
Seoul
Intellian Technologies, Inc.
T +82 2 511 2244
F +82 2 511 2235

Americas
Irvine
Intellian Technologies USA, Inc.
T +1 949 727 4498
F +1 949 271 4183
Toll Free +1 888-201-9223

EMEA
Rotterdam
Intellian B.V.
T +31 1 0820 8655
F +31 1 0820 8656