

# Intellian® i3

## Compact but Powerful Marine Satellite TV Antenna System



**Intellian® i3** The compact and stylish Intellian i3 ideally brings a perfect fit for boats as small as 25 feet. With its embedded HD modules, the i3 brings the boaters excitement and variety of satellite HDTV programs simultaneously whether the vessels are traveling around the coast or heading offshore.

- **Optimized Design with 15" Dish Diameter**
- **Compact but Powerful with Affordable Value**
- **User-friendly & Easy to Install**
- **Seamless Viewing (Automatic Satellite Switch) of All DISH Network and Bell TV Channels.**

**Available with DISH MIM  
(Multi-satellite Interface Multi-switch)**



### Compact Size with Powerful Performance

15 inch dish diameter with nationwide coverage for North & South America, Europe and the regional service around the globe.

### Faster Signal Acquisition

Intellian's exclusive Wide Range Search (WRS) algorithm allows the antenna to search, find and lock on to a signal with incredible speed and accuracy.

### A Firm Hold on the Signal

Intellian's exclusive Dynamic Beam Tilting (DBT) uses a high performance, constantly adjusting sub-reflector which allows the antenna to remain the strongest signal at all times while the vessel is cruising at high speed.

### Simple & Easy Installation

With a single cable to connect the antenna and the ACU, Intellian i3 systems are quick and easy to install. Our advanced ACU is designed to require minimum setup so you can begin to enjoy TV programs aboard your boat in no time.

### Tune in Your Favorite HDTV Channels

Intellian's i3 provides HD channels from the Ku-band. The HD module is actually built-in to the Antenna Control Unit of the Intellian i3 for seamless integration and easy installation.

### Built-in GPS

The Intellian i3 includes a built-in GPS for easier operation and faster signal acquisition. It allows the i3 to have higher accuracy and easy operation wherever the vessel sails.

### User-friendly Operation

Antenna Control Unit (ACU), which is supplied as a default package, gives you the user-friendly operation for various function.



**Intellian®**

# Intellian® i3

## Compact but Powerful Marine Satellite TV Antenna System

### Key Features

#### Fully Automated System

Automatic satellite search and identification 2-axis step motors to stabilize the pedestal.

#### Enhanced Antenna

Highly efficient parabolic antenna enables 50dBW of minimum EIRP. RHCP / LHCP, Vertical / Horizontal polarization

#### Compact Size

15 inch antenna dish diameter Light antenna weighs less than 20 pounds.

#### Wide Range Search (WRS) Algorithm

Competitor methods search for the narrow-bandwidth of the main lobe. However Intellian's exclusive WRS searches for the wide range of side lobes and jumps up to the main lobe, providing faster satellite acquisition.

#### Dynamic Beam Tilting (DBT) Technology

A high-speed sub-reflector rotates off axis, checking signal strength at 50 times per second and compensating the tracking direction. Less movement of the main-reflector means less noise and extends the product life.

#### Fully Automated Digital Video Broadcasting (DVB)

Identification DVB Decoder with CPLD enables high speed identification.

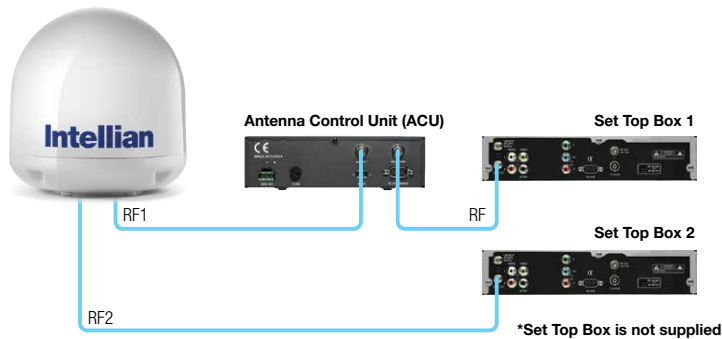
#### New Type Antenna Control Unit

Easy to change and update satellite information  
Easy antenna status check and automatic diagnosis  
Easy antenna control using PC interface

#### Built-in GPS and NMEA 0183 Interface Port

The i3 includes a built-in GPS inside of the Antenna Unit for faster signal acquisition. The ship's GPS can also be connected through the NMEA 0183 port on the rear panel of the ACU.

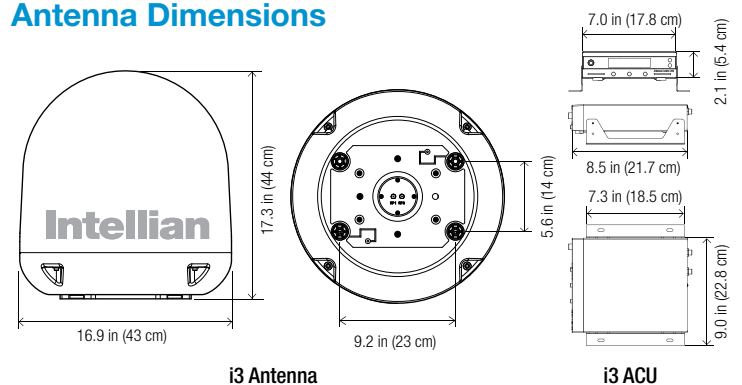
### System Diagram



### Technical Specifications

Part	Specifications
B3-303S	Intellian i3 Satellite TV Antenna System
B3-301U	Intellian i3 Satellite TV Antenna System ( Europe )
<b>Physical</b>	
Radome Height	44 cm / 17.3"
Radome Diameter	43 cm / 16.9"
Antenna Dish Diameter	37 cm / 14.6"
Weight	9 kg / 19.8 lbs
<b>Environmental</b>	
Operating Temp. Range	5°F ~ 131°F ( -15°C ~ 55°C )
Storage Temp. Range	-13°F ~ 158°F ( -25°C ~ 70°C )
Water Ingress	IPX6
Approvals	CE / FCC
Warranty	3 Years Parts and 1 Year Labor
<b>Performance</b>	
Reception Frequency	Ku-band (10.7~ 12.75 GHz)
Polarization	RHCP / LHCP, Vertical / Horizontal
Minimum EIRP	50 dBW
Azimuth Range	680°
Elevation Range	+10° to +80°
Ship's Motion	Roll ±25°, Pitch ±15°
Roll & Pitch Response Rate	60° / Second
Turn Rate	60° / Second
RF Output	Dual Output
<b>Antenna Control Unit</b>	
Dimensions (W x D x H)	17.8 x 21.7 x 5.4 cm / 7.0" x 8.5" x 2.1"
Weight	1.2 kg / 2.6 lbs
Display	2 line 20 character VFD module
Power Input	Input : 9.0~30.0 V DC (Typ. 30 W, max 50 W)
GPS Interface	Built-in (NMEA 0183 GPS)

### Antenna Dimensions



ISO 9001, 14001 Certified

[www.intelliantech.com](http://www.intelliantech.com)

**HQ/Innovation Center/Factory**  
Intellian Technologies, Inc.  
348-5 Chungho-Ri, Jimwi-Myeon  
Pyeongtaek-Si, Gyeonggi-Do 451-862 Korea

T +82 31 379 1000  
F +82 31 377 6185

**Seoul Office APAC**  
Intellian Technologies, Inc.  
2F Dongik Building, 98 Nonhyun-Dong  
Gangnam-Gu, Seoul 135-010 Korea

T +82 2 511 2244  
F +82 2 511 2235

**Irvine Office Americas**  
Intellian Technologies USA, Inc.  
9004 Research Drive  
Irvine, CA 92618 USA

T +1 949 727 4498  
Toll Free +1 888-201-9223  
F +1 949 271 4183

**Rotterdam Office EMEA**  
Intellian B.V.  
Bristolstraat 1, 3047AB  
Rotterdam, The Netherlands

T +31 1 0820 8655  
F +31 1 0820 8656

**UK Office**  
Intellian Ltd.  
Epsilon House, Enterprise Road,  
Southampton Science Park,  
Southampton, Hampshire SO16 7NS, UK

T +44 2380 019 021  
F +44 2380 767 092

Intellian has more worldwide offices. Addresses, phone numbers, and fax numbers are listed on the Intellian Website at [www.intelliantech.com](http://www.intelliantech.com)