

Intellian® i6/i6P

Unmatched Performance Marine Satellite TV Antenna System



Intellian® i6/i6P With breakthrough and unmatched performance, the Intellian i6 offers firmer reception and wider coverage than any other 24" dish satellite antenna systems. The i6/i6P is ideally designed for boats over 70 feet with its excellent commercial-grade reliability and efficiency.

- **Strong Signal Gain for Wider Coverage Area**
- **Unmatched Performance with Competitive Value**
- **A Auto Skew Angle Control System for Linear Polarization - i6P only**
- **Seamless Viewing (Automatic Satellite Switch) of All DISH Network and Bell TV Channels.**

**Available with DISH MIM
(Multi-satellite Interface Multi-switch)**



**HDTV
COMPATIBLE**



Unmatched Performance

24 inch dish diameter with nationwide coverage for North & South America, Europe and the regional service around the globe.

Faster Signal Acquisition

Intellian's exclusive Wide Range Search (WRS) algorithm allows the antenna to search, find and lock on to a signal with incredible speed and accuracy.

A Firm Hold on the Signal

Intellian's exclusive Dynamic Beam Tilting (DBT) uses a high performance, constantly adjusting sub-reflector which allows the antenna to remain the strongest signal at all times while the vessel is cruising at high speed.

Simple & Easy Installation

With a single cable to connect the antenna and the ACU, Intellian i6 systems are quick and easy to install. Our advanced ACU is designed to require minimum setup so you can begin to enjoy TV programs aboard your boat in no time.

Tune in Your Favorite HDTV Channels

Intellian's i6/i6P provides HD channels from the Ku-band. The HD module is actually built-in to the Antenna Control Unit of the Intellian i6/i6P for seamless integration and easy installation.

Built-in GPS

Intellian i6/i6P includes a built-in GPS for easier operation and faster signal acquisition. It allows the i6/i6P to have higher accuracy and easy operation wherever the vessel sails.

User-friendly Operation

Antenna Control Unit (ACU), which is supplied as a default package, gives you the user-friendly operation for various function.

Intellian®

Intellian® i6/i6P

Unmatched Performance Marine Satellite TV Antenna System

Key Features

Fully Automated System

Automatic satellite search and identification
2-axis step motors to stabilize the pedestal

Enhanced Antenna

Highly efficient 24 inch parabolic antenna enables 47dBW of minimum EIRP.
RHCP / LHCP, Vertical / Horizontal polarization

Easy Installation

Single cable from the Antenna to the Antenna Control Unit

Wide Range Search (WRS) Algorithm

Competitor methods search for the narrow-bandwidth of the main lobe.
However Intellian's exclusive WRS searches for the wide range of side lobes and jumps up to the main lobe, providing faster satellite acquisition.

Dynamic Beam Tilting (DBT) Technology

A high-speed sub-reflector rotates off axis, checking signal strength at 50 times per second and compensating the tracking direction. Less movement of the main-reflector means less noise and extends the product life.

Fully Automated Digital Video Broadcasting (DVB) Identification

DVB Decoder with CPLD enables high speed identification.

New Type Antenna Control Unit

Easy to change and update satellite information
Easy antenna status check and automatic diagnosis
Easy antenna control using PC interface

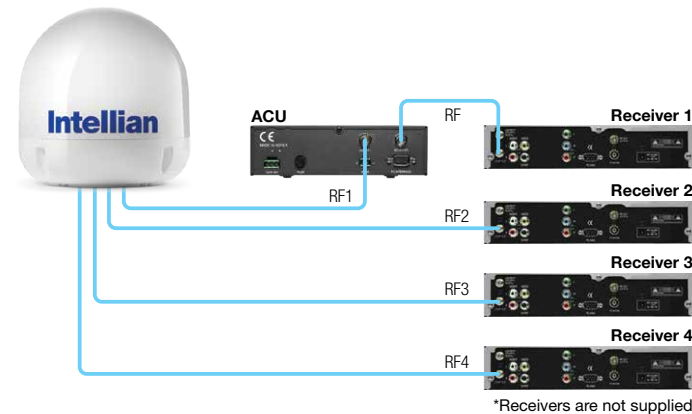
Automatic Polarization (Skew-angle) Control (i6P only)

Automatic Skew Angle Control System (-90°~ +90°) for Linear Horizontal / Vertical Polarization.

Built-in GPS and NMEA 0183 Interface Port

The i6/i6PE includes a built-in GPS inside of the Antenna Unit for faster signal acquisition. The ship's GPS can also be connected through the NMEA 0183 port on the rear panel of the ACU.

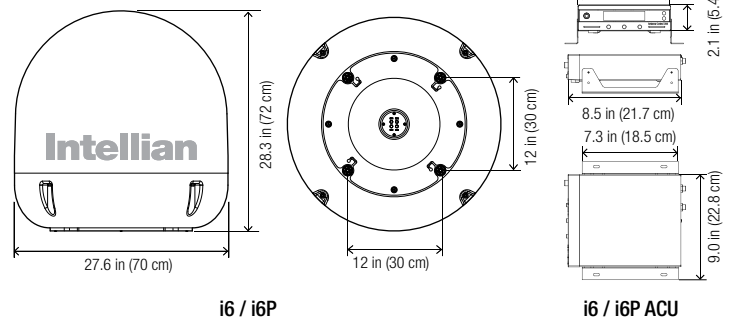
System Diagram



Technical Specifications

Part	Specifications
B3-603S	Intellian i6 Satellite TV Antenna System (US)
B3-611Q	Intellian i6 Satellite TV Antenna System (Europe)
Physical	
Radome Height	28.3 in (72 cm)
Radome Diameter	27.6 in (70 cm)
Antenna Dish Diameter	23.6 in (60 cm)
Weight	44 lbs (20 kg) for i6 / 49 lbs (22 kg) for i6P
Environmental	
Operating Temp. Range	5°F ~ 131°F (-15°C ~ 55°C)
Storage Temp. Range	-13°F ~ 158°F (-25°C ~ 70°C)
Water Ingress	IPX6
Approvals	CE / FCC
Warranty	3 Years Parts and 1 Year Labor
Performance	
Reception Frequency	Ku-band (10.7~ 12.75 GHz)
Polarization	RHCP / LHCP, Vertical / Horizontal
Minimum EIRP	47 dBW
Azimuth Range	680°
Elevation Range	+5° to +90°
Ship's Motion	Roll ±25°, Pitch ±15°
Roll & Pitch Response Rate	45° / Second
Turn Rate	45° / Second
RF Output	Dual / Quad Output
Antenna Control Unit	
Dimensions (WxDxH)	7.0 in x 8.5 in x 2.1 in (17.8 cm x 21.7 cm x 5.4 cm)
Weight	2.6 lbs (1.2 kg)
Display	2 Line 20 Character VFD Module
Control Key	5 Integrated Push Buttons
Power Input	9 ~ 30 VDC (Typ. 30W, Max. 50W)
GPS Interface	NMEA0183

Antenna Dimensions



ISO 9001, 14001 Certified

www.intelliantech.com

HQ/Innovation Center/Factory
Intellian Technologies, Inc.
348-5 Chungho-Ri, Jimwi-Myeon
Pyeongtaek-Si, Gyeonggi-Do 451-862 Korea

T +82 31 379 1000
F +82 31 377 6185

Seoul Office APAC
Intellian Technologies, Inc.
2F Dongik Building, 98 Nonhyun-Dong
Gangnam-Gu, Seoul 135-010 Korea

T +82 2 511 2244
F +82 2 511 2235

Irvine Office Americas
Intellian Technologies USA, Inc.
9004 Research Drive
Irvine, CA 92618 USA

T +1 949 727 4498
Toll Free +1 888-201-9223
F +1 949 271 4183

Rotterdam Office EMEA
Intellian B.V.
Bristolstraat 1, 3047AB
Rotterdam, The Netherlands

T +31 1 0820 8655
F +31 1 0820 8656

UK Office
Intellian Ltd.
Epsilon House, Enterprise Road,
Southampton Science Park,
Southampton, Hampshire SO16 7NS, UK

T +44 2380 019 021
F +44 2380 767 092

Intellian has more worldwide offices. Addresses, phone numbers, and fax numbers are listed on the Intellian Website at www.intelliantech.com

©2013 Intellian Technologies, Inc. All rights reserved. Intellian and the Intellian logo are registered trademarks. DBT, WRS, i6/i6P and i-Series are trademarks of Intellian Technologies, Inc. in the U.S. and/or various countries. All other trademarks are the property of their respective owners. Information in this document is subject to change without notice.