

# Intellian® v240C

**2.4m C-band  
Circular and Linear Polarization  
Maritime VSAT Antenna System**



**Intellian® v240C** is newest addition to Intellian's line of VSAT Satellite Antennas, featuring patented automatic switching between circular and linear polarization, high-gain parabolic ring focus components, and an ultra-wide elevation angle that provides superb signal clarity virtually anywhere you go, even in extremely low and high latitude regions.

The v240C requires minimal involvement to commission, is easy to operate, and is simple to upgrade and manage. Each unit comes pre-loaded with a ready-to-use, client-customized channel library that can be conveniently tailored further via PC software (also included with the unit), and firmware updates can be done entirely through the ACU. Wi-Fi router enables easy connection and control of the ACU, allowing operators to check the status of the VSAT.

Robust and versatile, the v240C marks an new era for VSAT connectivity on the open water for deep sea vessels that require global coverage. For more information about the v240C, contact Intellian Technologies today.

## Automatic Polarization Switching

Featuring patented technology available only on select Intellian models, the v240C allows you to effortlessly and automatically switch between linear and circular c-band polarization, wherever you go, with ease and convenience. Simply select a polarization from the ACU or PC-based control software, and the unit does the rest of the work for you, auto-adjusting itself to receive the desired signal.

## Wide Elevation Angle

The v240C's wide-look angle pedestal design is excellently suited for extremely low or high latitude areas, such as the Scandinavian Peninsula or the Equatorial regions. Empower your vessel with the ability to travel far and wide, without the worry of signal loss!

## Motor Brakes

Motor brakes on the elevation and cross-level components prevent dish damage from sudden movements and/or shock when the unit is powered off, in transport, or in storage.

## Easy Installation, Setup and Operation

With the v240C, installation and setup are easier than ever. Once a satellite's peak signal position is acquired during first-time setup, the unit will automatically re-adjust accordingly every time it boots (bow, home sensor offset, azimuth, and elevation position), saving you huge amounts of time and effort.

## Antenna Dome Features

The v240C antenna dome is combined with 12 panels which makes easier to assemble than equivalent products. The unit comes with an optional temperature control assembly that automatically provides the dome enclosure's interior with air conditioned cooling as needed. No matter what the temperature is outside the dome, you can rest assured that the unit will be fully functioning under optimal temperature conditions inside the dome.



**Intellian®**

# Intellian® v240C

## 2.4m C-band Circular and Linear Polarization Maritime VSAT Antenna System

### Technical Specifications

Product Model	Specifications
Intellian v240C	3-axis Marine Stabilized C-band Communication Antenna System
<b>Radome &amp; Antenna</b>	
Radome (D x H)	3.3m x 3.52m / 130" x 139"
Dish Diameter	2.4m / 94.5"
Weight	670kg / 1477 lbs (Radome + Antenna + Base frame)
<b>Stabilized Pedestal Assembly</b>	
Pedestal Type	3-Axis: Azimuth, Elevation, Cross level
Azimuth Range	Unlimited
Elevation Range	-15° to +120°
Cross-level Range	± 30°
Brake System	Elevation, Cross level
Pointing Accuracy	0.2° peak mis-pointing @ max ship motion condition
<b>Reflector &amp; Feed Assembly</b>	
TX Frequency	5.85GHz ~ 6.425GHz
TX Gain	41.7dBi @ 6.14GHz (with Radome)
RX Frequency	3.625 GHz ~ 4.2 GHz
RX Gain	37.7 dBi @ 3.91GHz (with Radome)
Cross-pol isolation	Minimum 35dB
G/T	20 dB/K (Clear Sky, 20° Elevation)
Polarization	Circular Polarization & Linear Polarization, Auto Switching
<b>Max Ship's Motion</b>	
Roll / Pitch / Yaw	±25° roll, ±15° pitch, ±15° yaw
<b>Rack Mount Antenna Control Unit</b>	
Size	431mm x 381mm x 44mm / 16.9"x15"x 1.7"
Weight	3kg / 6.6 lbs
Display	2 Line 40 character graphic VFD module
Serial Interface	57,600bps 8, N, 1, RS-232C
Modem Interface	Ethernet / RS-232C / Console
Gyrocompass Interface	NMEA 2000 / 0183
Remote Access	TCP/IP / Wi-Fi
Input Power	90 ~ 260V AC, 47~63Hz

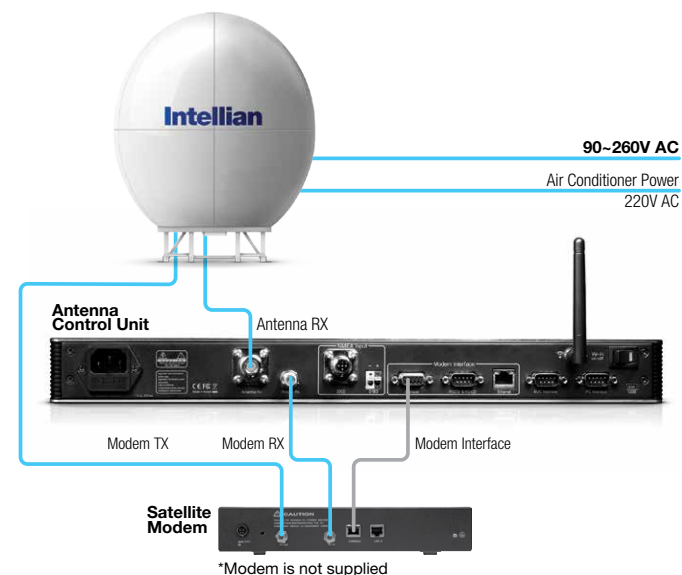
### ACU (Antenna Control Unit) Key Features

Firmware updates can easily and reliably be made through the ACU without any hardware replacements utilizing Intellian's custom updating.

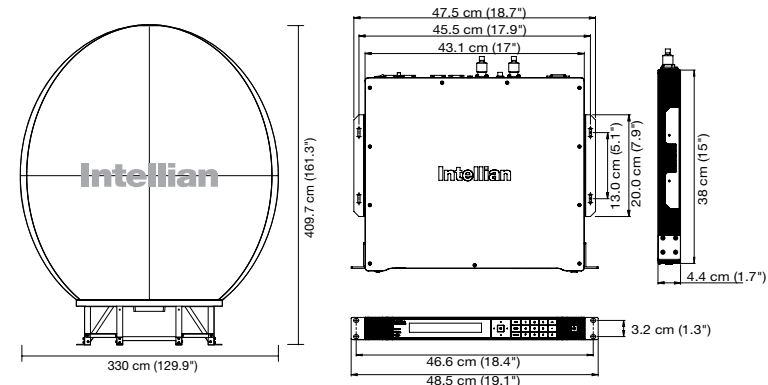
Wi-Fi supported ACU provides convenient connection to the ACU for setup and system monitoring.

TCP/IP supports a wide range of modem interface formats (including Ethernet, console, RS232).

### Basic Configuration



### Antenna Housing and ACU Dimensions



ISO9001 / ISO14001 Certified  
www.intelliantech.com

**HQ/Innovation Center/Factory**  
Intellian Technologies, Inc.  
348-5 Chungho-Ri, Jimwi-Myeon  
Pyeongtaek-Si, Gyeonggi-Do 451-862 Korea

T +82 31 379 1000  
F +82 31 377 6185

**Seoul Office APAC**  
Intellian Technologies, Inc.  
2F Dongik Building, 98 Nonhyun-Dong  
Gangnam-Gu, Seoul 135-010 Korea

T +82 2 511 2244  
F +82 2 511 2235

**Irvine Office Americas**  
Intellian Technologies USA, Inc.  
9004 Research Drive  
Irvine, CA 92618 USA

T +1 949 727 4498  
Toll Free +1 888-201-9223  
F +1 949 271 4183

**Rotterdam Office EMEA**  
Intellian B.V.  
Bristolstraat 1, 3047AB  
Rotterdam, The Netherlands

T +31 1 0820 8655  
F +31 1 0820 8656

**UK Office**  
Intellian Ltd.  
Epsilon House, Enterprise Road,  
Southampton Science Park,  
Southampton, Hampshire SO16 7NS, UK

T +44 2380 019 021  
F +44 2380 767 092

Intellian has more worldwide offices. Addresses, phone numbers, and fax numbers are listed on the Intellian Website at [www.intelliantech.com](http://www.intelliantech.com)