

Intellian® v240M

**2.4m Multi-band (C/Ku)
Automatic Band Switching and Polarization
Maritime VSAT Antenna System**



Intellian® v240M is newest addition to Intellian's line of VSAT Satellite Antennas, featuring patented automatic switching between C-band and Ku-band. The high gain reflector offers superb performance in both C and Ku-band, giving the benefit of a true 2.4 meter reflector in both bands. The v240M is the first antenna of its kind to offer ease of use and unparalleled RF performance in a single package. No longer does switching frequencies mean a shipboard visit, or degraded RF performance.

The v240M requires no manual intervention to switch between bands. The antenna is fully compliant with the leading hub-based beam switching solutions. Not only can the system switch between bands, but also between polarizations as commanded by the hub infrastructure. Utilizing Intellian's industry leading Aptus software, the system is easy to commission, operate, and is simple to upgrade and manage. Each unit comes pre-loaded with a ready-to-use, client-customized satellite library that can be conveniently tailored further via the Aptus software (also included with the unit), and firmware updates can be done entirely through the ACU.

A Wi-Fi router enables easy connection and control of the ACU, allowing operators to check the status of the VSAT.

Robust and versatile, the v240M marks an new era for VSAT connectivity on the open water for deep sea vessels that require global coverage.



Automatic Frequency Band Switching

Featuring patented technology available only from Intellian, the v240M allows you to effortlessly and automatically switch between C-band and Ku-band satellites without any change of hardware above decks. The frequency band selection, can be controlled by the satellite modem, remotely by the operator, or conveniently at the ACU.

Future Proof Satellite Networks

With the v240M, end-users and service providers enjoy greater flexibility of space segment selection, allowing them access to either greater data rates, lower cost space segment, better performance, or enhanced regulatory compliance now, and into the future.

Integrated RF Management Switch

The v240M comes with a new ACU that offers an integrated RF Management Switch. This allows the user to install either one single satellite modem for both C and Ku-band, or two separate modems to support each frequency band. When operating in a network that offers intelligent beam switching, a single modem may be used. When the user requires the enhanced features of a more specialized modem, then the RF Management Switch manages this, removing the need to swap cables onboard!

Easy Installation, Setup and Operation

With the v240M, installation and setup are easier than ever. Once a satellite's peak signal position is acquired during first-time setup, the unit will automatically re-adjust accordingly every time it boots (bow, home sensor offset, azimuth, and elevation position), saving you huge amounts of time and effort.

Intellian®

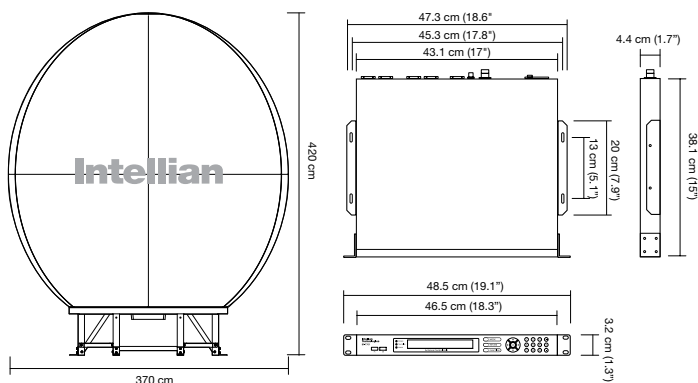
Intellian® v240M

2.4m Multi-band(C/Ku) Auto-Switching Maritime VSAT Antenna System

Technical Specifications

Product Model	Specifications
Intellian v240M	3-axis Marine Stabilized C-Band Communication Antenna System
Radome & Antenna	
Radome (D x H)	3.7m x 4.2m
Dish Diameter	2.4m
Weight	740kg (Radome + Antenna + Base frame)
Stabilized Pedestal Assembly	
Pedestal Type	3-Axis : Azimuth, Elevation, Cross level
Azimuth Range	Unlimited
Elevation Range	-15° to +120°
Cross-level Range	± 30°
Brake System	Elevation, Cross level
Pointing Accuracy	0.2° peak mis-pointing @ max ship motion condition
Reflector & Feed Assembly	
TX Frequency	5.85GHz ~ 6.725GHz / 13.75GHz ~ 14.5GHz
TX Gain	41.7dBi @ 6.18GHz / 49.1dBi @ 14.25GHz
RX Frequency	3.4GHz ~ 4.2GHz / 10.95GHz ~ 12.75GHz
RX Gain	38.5dBi @ 3.9GHz / 47.6dBi @ 11.85 GHz
Cross-pol isolation	Minimum 35dB
G/T	20dB/K (Clear Sky, 20° El) / 27.4dB/K (Clear Sky, 20° El)
Polarization	C-Band Circular / Ku-Band Linear Auto Switching
Max Ship's Motion	
Roll / Pitch / Yaw	±25° roll, ±15° pitch, ±15° yaw

Antenna Housing and ACU Dimensions



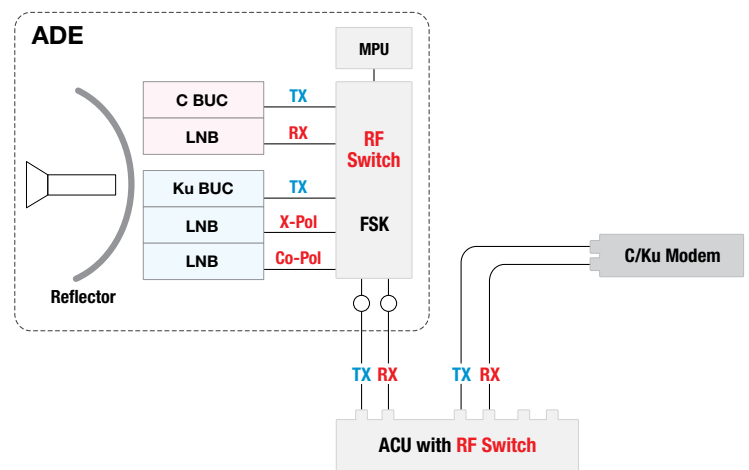
ACU (Antenna Control Unit) Key Features

Integrated RF Management Switch – no need to swap cables between modems while offering a wide range of configuration flexibility.

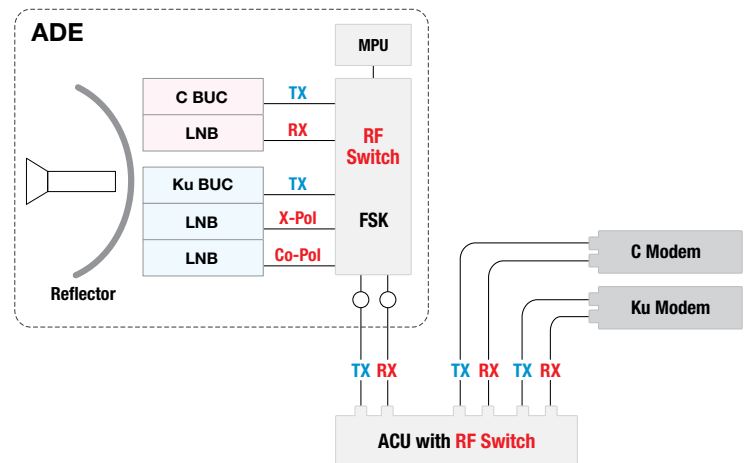
Wi-Fi supported ACU provides convenient connection to the ACU for setup and system monitoring.

TCP/IP supports a wide range of modem interface format (including Ethernet, console, RS232).

Single Modem



Dual Modem



Intellian®
ISO9001 / ISO14001 Certified
www.intelliantech.com

HQ/Innovation Center/Factory
Intellian Technologies, Inc.
348-5 Chungho-Ri, Jimwi-HMyeon
Pyeongtaek-Si, Gyeonggi-Do 451-862 Korea
T +82 31 379 1000
F +82 31 377 6185

Seoul Office APAC
Intellian Technologies, Inc.
2F Dongik Building, 98 Nonhyun-Dong
Gangnam-Gu, Seoul 135-010 Korea
T +82 2 511 2244
F +82 2 511 2235

Irvine Office Americas
Intellian Technologies USA, Inc.
9004 Research Drive
Irvine, CA 92618 USA
T +1 949 727 4498
Toll Free +1 888-201-9223
F +1 949 271 4183

Rotterdam Office EMEA
Intellian B.V.
Bristolstraat 1, 3047AB
Rotterdam, The Netherlands
T +31 1 0820 8655
F +31 1 0820 8656

Southampton Office
Intellian Ltd.
Epsilon House, Enterprise Road,
Southampton Science Park,
Southampton, Hampshire SO16 7NS, UK
T +44 2380 019 021
F +44 2380 767 092

Intellian has more worldwide offices. Addresses, phone numbers, and fax numbers are listed on the Intellian Website at www.intelliantech.com