

Intellian® v60G

**Marine Stabilized Ku-band
Communication Antenna System with
3-axis and 60cm Dish Diameter**



Intellian® v60G is a fully integrated 60cm Ku-band stabilized maritime VSAT system that acquires and locks onto the satellite without requiring any extra configuration or a separate input from the ship's gyro-compass, which allows boaters to have a simplified and hassle-free installation as well as a reliable, "always-on" broadband connections at sea.

Building on the success of the v60 and Intellian's world-class standards, the v60G is capable of withstanding the severe shock and vibration generated by the harsh marine environment. To avoid unnecessary and complicated cable runs, the v60G supplies 48V DC BUC power with TX signal through one cable directly from its control unit.

With the sophisticated mechanical design and excellent satellite tracking performance, the v60G guarantees to bring a great user experience to operators who require a system that is easy to install, easy to use and easy to maintain.



Gyro-Free Satellite Search Capability

Intellian's new generation gyro-free satellite search function enables the v60G to acquire and lock onto the satellite without requiring a separate input from the ship's gyro-compass.

Combined BUC Power and TX Signal

The v60G offers a single cable solution that supplies 48V DC power and the TX signal together from its control unit via one RF cable. Intellian makes it simpler to install or retrofit.

Dual VSAT Mediator

Optional unit ensuring uninterrupted, always-on broadband communications. Designed to communicate with two Antenna Control Units (ACU) simultaneously, the Dual VSAT Mediator is ideal for redundant antenna environments. The Mediator eliminates the need for human interaction by automatically switching between two antenna systems within 60 milliseconds.

Remote Management Solution

The v60G can be accessed, monitored, and controlled from any location in the world. Additionally, hundreds of routine maintenance activities can be automated. These solutions include operating firmware upgrades, tracking parameters resets, and system diagnosis.

Save Installation and Maintenance Time

The simplified design of v60G allows users to install and setup the system with out the need for a skilled engineer. Additionally, the v60G provides the utmost in reliability resulting in time and cost savings in maintenance.

Intellian® v60G

60cm Ku-band 3-axis Marine Satellite Antenna Systems

Technical Specifications

Product Model	Specifications
Intellian v60G	3-axis Marine Stabilized Ku-band Communication Antenna System
Radome & Antenna	
Radome (D x H)	78 x 84.5 cm / 30.7" x 33.3"
Dish Diameter	60.0 cm / 23.6"
Weight	59.5 kg / 131.2 lbs (variable w/ RF components)
Stabilized Pedestal Assembly	
Pedestal Type	3-axis / Azimuth, Elevation, Cross-level
Azimuth Range	Unlimited
Elevation Range	-10° to 100°
Cross-level Range	±30°
Stabilization Accuracy	0.2° peak mis-pointing @ max ship motion condition
Max Ship's Motion	
Roll / Pitch / Yaw	± 25° roll, ± 15° pitch, ± 8° yaw @ 6 sec period
Turning Rate	Up to 12°/sec & 5°/sec²
Reflector & Feed Assembly	
TX Frequency	13.75 ~ 14.5 GHz Ku-band
TX Gain	38.1 dBi @ Mid band
RX Frequency	10.95 ~ 12.75 GHz Ku-band
RX Gain	35.8 dBi @ Mid band
Polarized Feed	Cross-pol only, or Cross-pol and Co-pol
LNB Pol Control	Automatic LNB-pol angle control

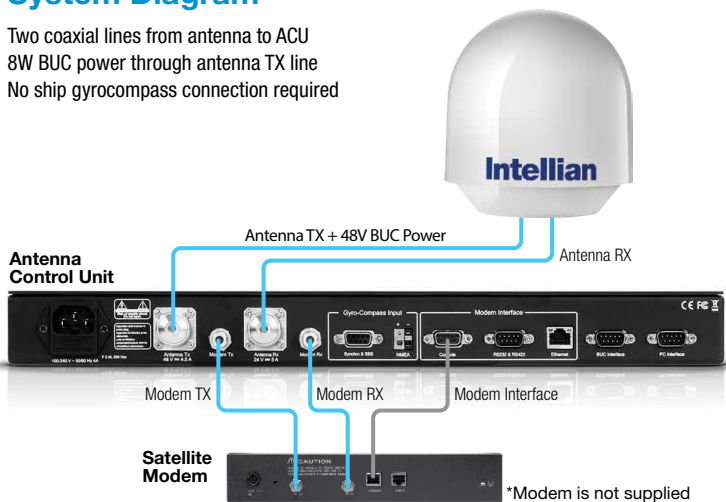
Rack Mount Antenna Control Unit	
Display	2 Line 40 Character Graphic VFD Module
Key	20 push keys
Serial Interface	RS-232C (19200 bps 8, N, 1)
Modem Interface	Ethernet port / RS-232C / I/O ports
Remote Access	TCP/IP
Input Power	100~240 V AC, 50~60 Hz (max 350 W including 8 W BUC power)
Gyrocompass Interface	NMEA / Synchro
GPS	NMEA in / NMEA out
Antenna Output Power	27 V DC (max 150 W) through RX RF Cable
8 W BUC Output Power	48 V DC (max 350 W) through TX RF Cable

Key Features

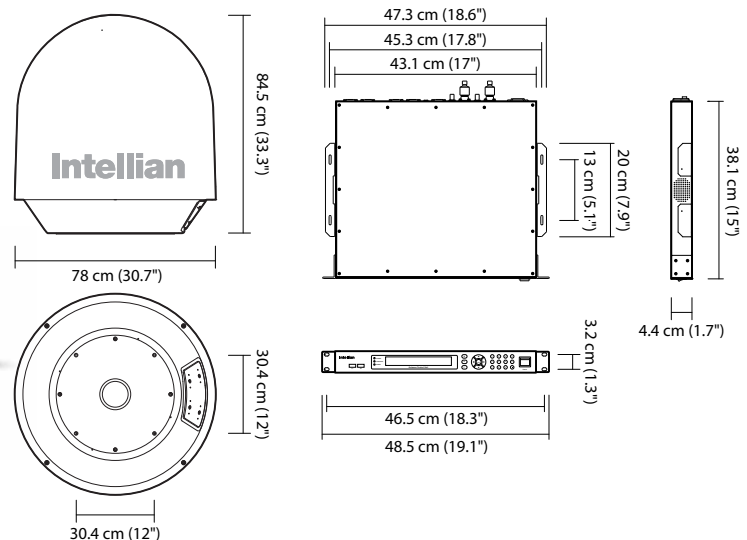
Gyro-free Operation	Without requiring heading device input
	Quick setup to reduce installation time
	Fail safe redundancy
Remote Access	Built-in web interface
	Remote firmware upgrade
	Antenna monitor & control

System Diagram

Two coaxial lines from antenna to ACU
8W BUC power through antenna TX line
No ship gyrocompass connection required



Antenna Dimensions



ISO 9001, 14001 Certified

www.intelliantech.com

HQ/Innovation Center/Factory
Intellian Technologies, Inc.
348-5 Chungho-Ri, Jimwi-Myeon
Pyeongtaek-Si, Gyeonggi-Do 451-862 Korea

T +82 31 379 1000
F +82 31 377 6185

Seoul Office APAC
Intellian Technologies, Inc.
2F Dongik Building, 98 Nonhyun-Dong
Gangnam-Gu, Seoul 135-010 Korea

T +82 2 511 2244
F +82 2 511 2235

Irvine Office Americas
Intellian Technologies USA, Inc.
9004 Research Drive
Irvine, CA 92618 USA

T +1 949 727 4498
Toll Free +1 888-201-9223
F +1 949 271 4183

Rotterdam Office EMEA
Intellian B.V.
Bristolstraat 1, 3047AB
Rotterdam, The Netherlands

T +31 1 0820 8655
F +31 1 0820 8656

UK Office
Intellian Ltd.
Epsilon House, Enterprise Road,
Southampton Science Park,
Southampton, Hampshire SO16 7NS, UK

T +44 2380 019 021
F +44 2380 767 092

Intellian has more worldwide offices. Addresses, phone numbers, and fax numbers are listed on the Intellian Website at www.intelliantech.com

©2013 Intellian Technologies, Inc. All rights reserved. Intellian and the Intellian logo are registered trademarks. v60G and v-Series are trademarks of Intellian Technologies, Inc. in the U.S. and/or various countries. All other trademarks are the property of their respective owners. Information in this document is subject to change without notice.