

■ C-band 10W BUC

MODEL No. **NJT5762** series

< Features >

- * **High Efficiency & Low Distortion**
 - P1dB: +40 dBm min. over temperature
 - IM3: -28 dBc @ Pout = +37 dBm
 - Power Consumption: 69 W
- * **Wide Operating Range of DC Power Operation**
 - Voltage Range: +18 to +60 VDC
- * **Compact Size & Light Weight**
 - Weight: 3.2 kg
- * **LED Indicator**
- * **RoHS Compliance**



< Line-Up >

Model No.	RF Frequency	Local Frequency	IF Frequency	Output Power @ P1dB	IF Connector	Power Supply	Port for Voltage Input	LED Indicator
NJT5762N	5.85 to	4.90 GHz	950 to 1,525 MHz	10W Linear (+40 dBm min.)	N-type	+24/ +48 VDC (+18 to +60 VDC)	Same as IF Connector (Separate Port)	Equipped
NJT5762F	6.425 GHz				F-type			
NJT5762NM	(Standard C-band)				N-type			
NJT5762FM					F-type			

< Specifications >

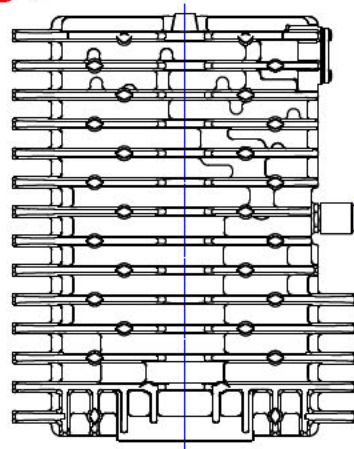
Item	Specifications
Output Interface	Waveguide, CPR137 (with Groove)
Input Interface	N-type, female (50 ohm) [Model No.: NJT5762N/62NM] F-type, female (75 ohm) [Model No.: NJT5762F/62FM]
Output Power @ 1 dB G.C.P.	+40 dBm min. over temperature
Linear Gain	64 dB nom., 58 dB min.
IM3	-28 dBc typ. @ total power = +40 dBm - 3 dB
Requirement for External Reference	[Frequency] 10 MHz (sine-wave)
	[Input Power] -5 to +5 dBm @ Input port
	[Phase Noise] -125 dBc/Hz max. @ 100 Hz
	-135 dBc/Hz max. @ 1 kHz
L.O. Phase Noise	-140 dBc/Hz max. @ 10 kHz
	-60 dBc/Hz max. @ 100 Hz
	-70 dBc/Hz max. @ 1 kHz
	-80 dBc/Hz max. @ 10 kHz
	-90 dBc/Hz max. @ 100 kHz
Receive Band Noise Density	-87 dBm/4kHz max.
Input V.S.W.R.	2.0 : 1 max.
Output V.S.W.R.	2.0 : 1 max.
Power Requirement	+24 / +48 VDC (+18 to +60 VDC)
Power Consumption	69 W typ., 75 W max.
Mute	Shut off the HPA in case of L.O. unlocked or no 10 MHz reference signal.
LED Indicator	GREEN: L.O. locked / RED: L.O. unlocked or no 10 MHz reference signal
Port for Voltage Input	Same as IF Connector [Model No.: NJT5762N/62F]
	MS Connector (Separate Port) [Model No.: NJT5762NM/62FM]
Temperature Range (ambient)	-40 to +55 C (operating), -40 to +75 C (storage)
Dimension & Housing (without Interface Connectors)	219.5 mm (L) x 175 mm (W) x 99 mm (H)
	[8.64" (L) x 6.89" (W) x 3.90" (H)]
Weight	3.2 kg [7.0 lbs]

■ C-band 10W BUC

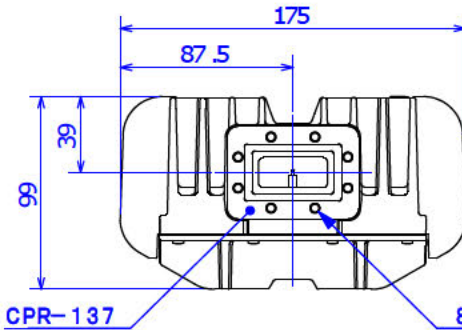
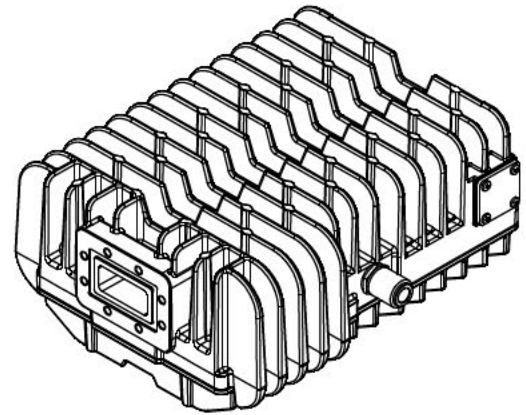
MODEL No. **NJT5762** series

< Outline Drawing >

NJT5762N

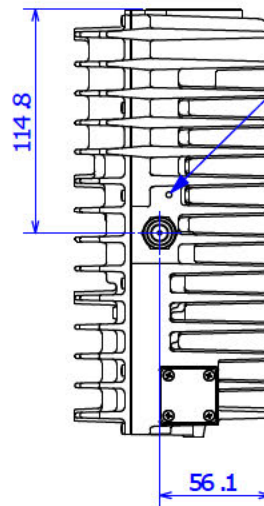
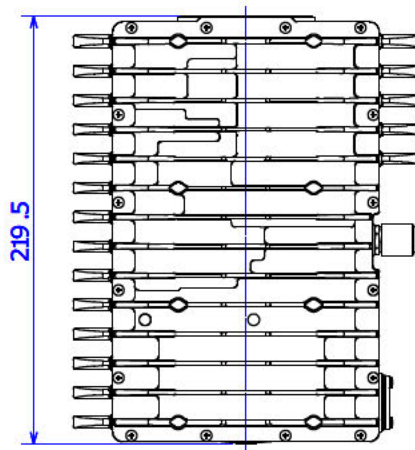
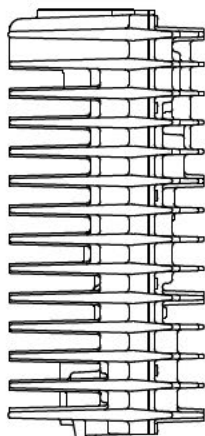


N-type, female connector
 IF / Ref. (10MHz)
 DC Power: +18 to +60 VDC

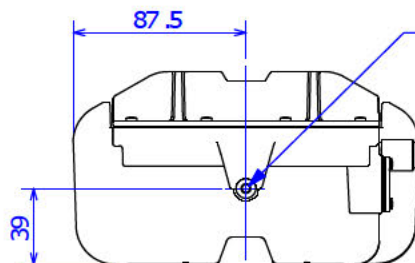


CPR-137

8-No. 10-32UNF depth 8 min.



LED Indicator



No. 10-32UNF depth 8 min.

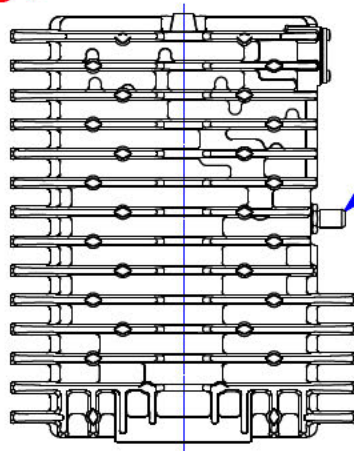
Unit: mm

■ C-band 10W BUC

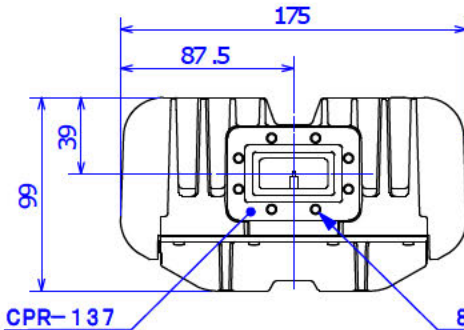
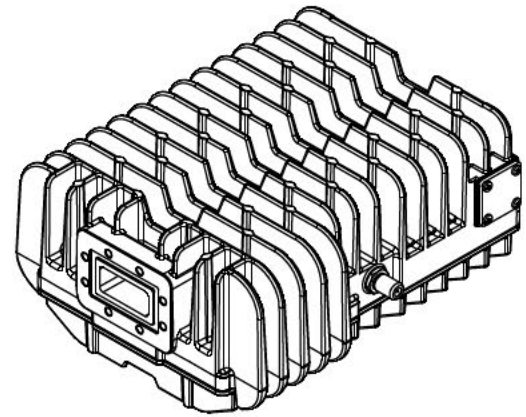
MODEL No. **NJT5762** series

< Outline Drawing >

NJT5762F

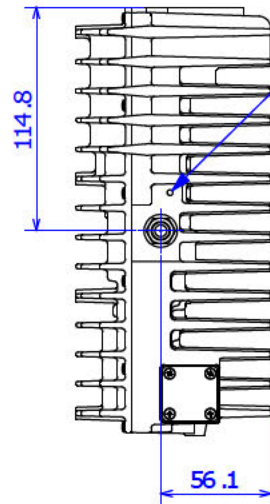
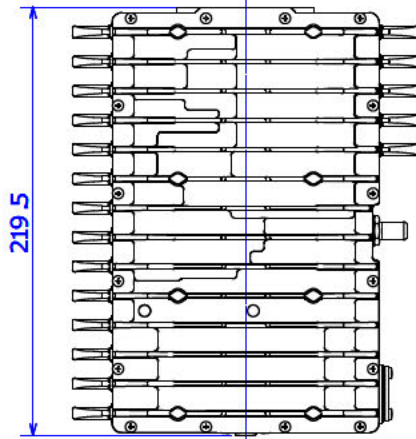
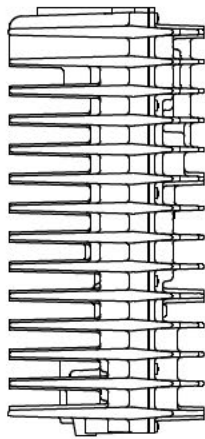


F-type, female connector
 IF Ref. (10MHz)
 DC Power: +18 to +60 VDC

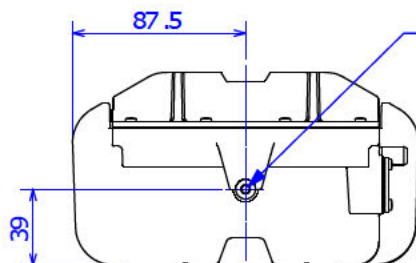


CPR-137

8-No. 10-32UNF depth 8 min.



LED Indicator



No. 10-32UNF depth 8 min.

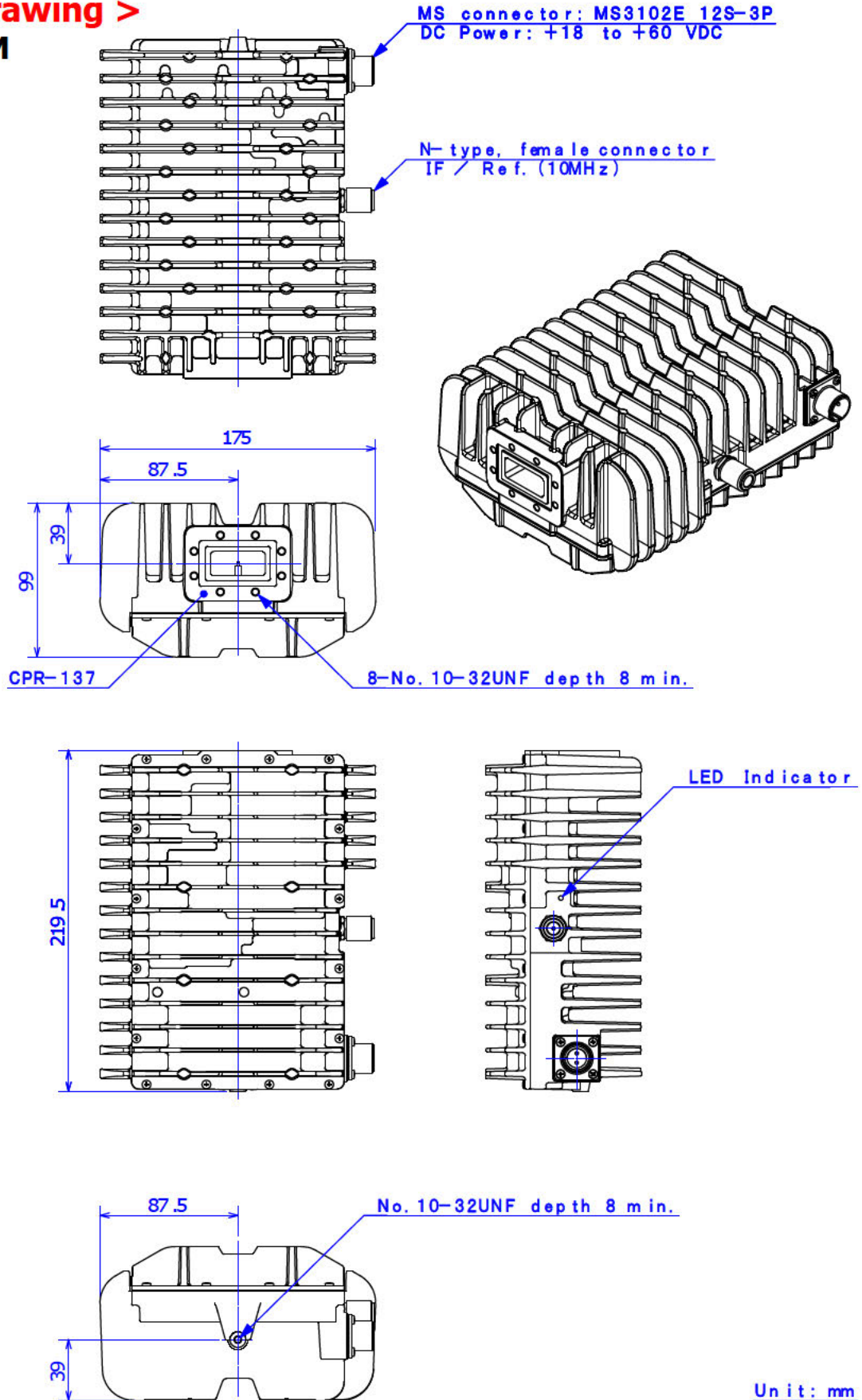
Unit: mm

■ C-band 10W BUC

MODEL No. **NJT5762** series

< Outline Drawing >

NJT5762NM



Unit: mm

Note: The contents of this sheet are subject to change without notice.

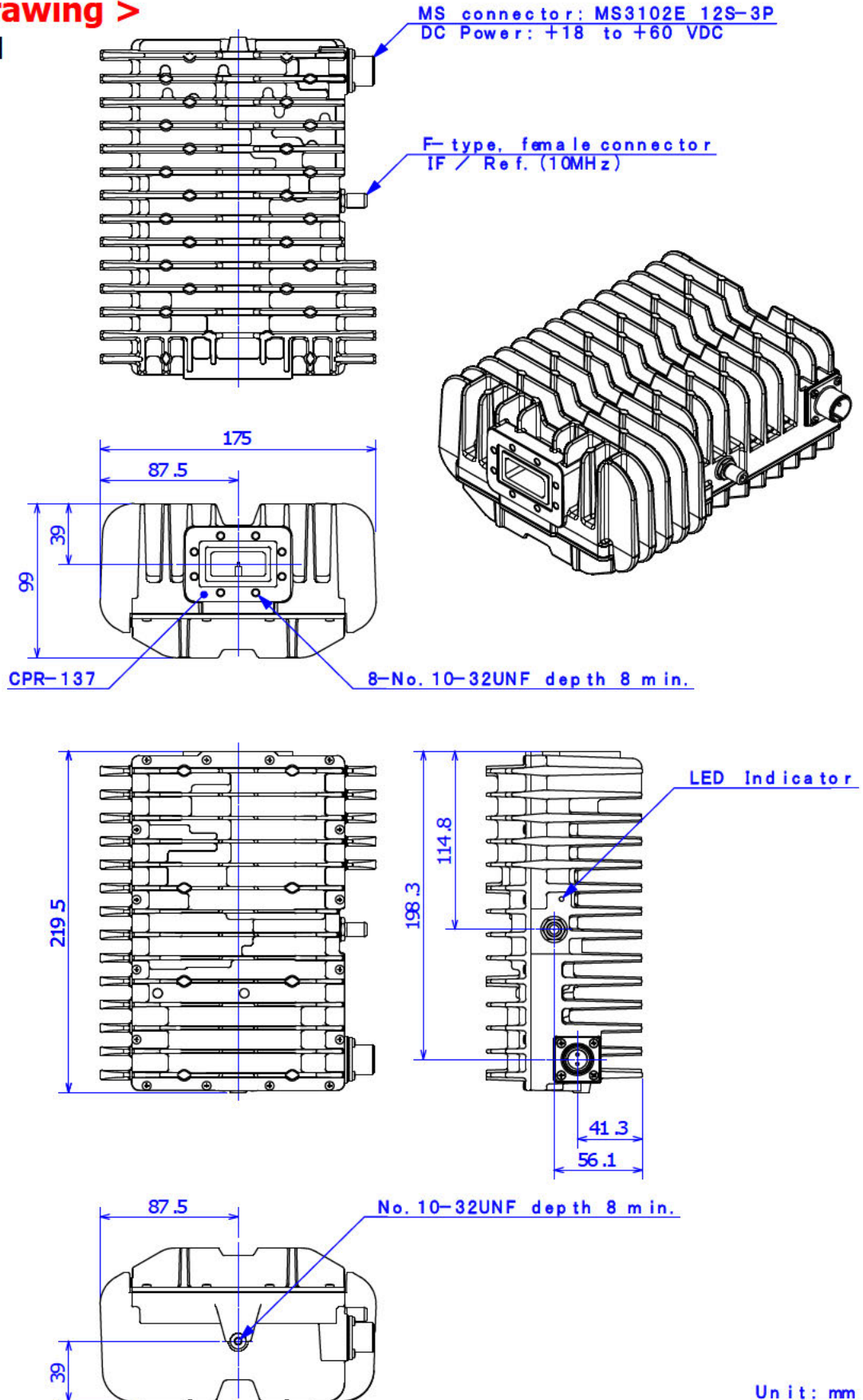
Copyright © 2009 New Japan Radio Co., Ltd.

■ C-band 10W BUC

MODEL No. **NJT5762** series

< Outline Drawing >

NJT5762FM



Unit: mm

Note: The contents of this sheet are subject to change without notice.

Copyright © 2009 New Japan Radio Co., Ltd.