



### < Features >

#### \* High Temperature Operating

- Operation Guarantee Temperature Range: -40 to +75 degree C

#### \* RF Frequency Line-up

- Universal Ku-band: 13.75 to 14.5 GHz
- Standard Ku-band: 14.0 to 14.5 GHz

#### \* High Efficiency Output Power

(8W Model)

- P1dB: +39 dBm min. over temperature
- Power Consumption: 90 W max.
- IM3: -28 dBc @ Pout <= +36 dBm

(16W Model)

- P1dB: +42 dBm min. over temperature
- Power Consumption: 170 W max.
- IM3: -28 dBc @ Pout <= +39 dBm

#### \* FSK Modulation M&C Option

#### \* Smallest Size & Lightest Weight

- Dimension: 180 (L) x 130 (W) x 80 (H) mm
- Weight: 2.4 kg



### < Line-Up >

Model No.	RF Frequency	Local Frequency	IF Frequency	Output Power @ P1dB	IF Connector	Port for Voltage Input	Power Supply	M&C Option						
NJT8319N	14.0 to 14.5GHz (Standard Ku-band)	13.05 GHz	950 to 1,450 MHz	16W Linear (+42dBm min.)	N-type	Same as IF Connector	+36 to +60 V DC Power	N/A						
NJT8319F					F-type	IF Connector								
NJT8319NM					N-type	MS Connector (Separate Port)								
NJT8319FM					F-type	Separate Port								
NJT8319NK					N-type	Same as IF Connector			FSK Communication M&C					
NJT8319FK					F-type	IF Connector								
NJT8319NMK					N-type	MS Connector (Separate Port)								
NJT8319FMK					F-type	Separate Port								
NJT8319UN					13.75 to 14.5GHz (Universal Ku-band)	12.80 GHz		950 to 1,700 MHz		16W Linear (+42dBm min.)	N-type	Same as IF Connector	+36 to +60 V DC Power	N/A
NJT8319UF											F-type	IF Connector		
NJT8319UNM									N-type		MS Connector (Separate Port)			
NJT8319UFM									F-type		Separate Port			
NJT8319UNK	N-type	Same as IF Connector	FSK Communication M&C											
NJT8319UFK	F-type	IF Connector												
NJT8319UNMK	N-type	MS Connector (Separate Port)												
NJT8319UFMK	F-type	Separate Port												
NJT8318N	14.0 to 14.5GHz (Standard Ku-band)	13.05 GHz		950 to 1,450 MHz			8W Linear (+39dBm min.)		N-type		Same as IF Connector	+18 to +60 V DC Power		N/A
NJT8318F									F-type		IF Connector			
NJT8318NM			N-type						MS Connector (Separate Port)					
NJT8318FM			F-type						Separate Port					
NJT8318NK			N-type		Same as IF Connector	FSK Communication M&C								
NJT8318FK			F-type		IF Connector									
NJT8318NMK			N-type		MS Connector (Separate Port)									
NJT8318FMK			F-type		Separate Port									
NJT8318UN			13.75 to 14.5GHz (Universal Ku-band)		12.80 GHz			950 to 1,700 MHz	8W Linear (+39dBm min.)	N-type	Same as IF Connector		+18 to +60 V DC Power	N/A
NJT8318UF										F-type	IF Connector			
NJT8318UNM						N-type				MS Connector (Separate Port)				
NJT8318UFM						F-type				Separate Port				
NJT8318UNK	N-type	Same as IF Connector		FSK Communication M&C										
NJT8318UFK	F-type	IF Connector												
NJT8318UNMK	N-type	MS Connector (Separate Port)												
NJT8318UFMK	F-type	Separate Port												

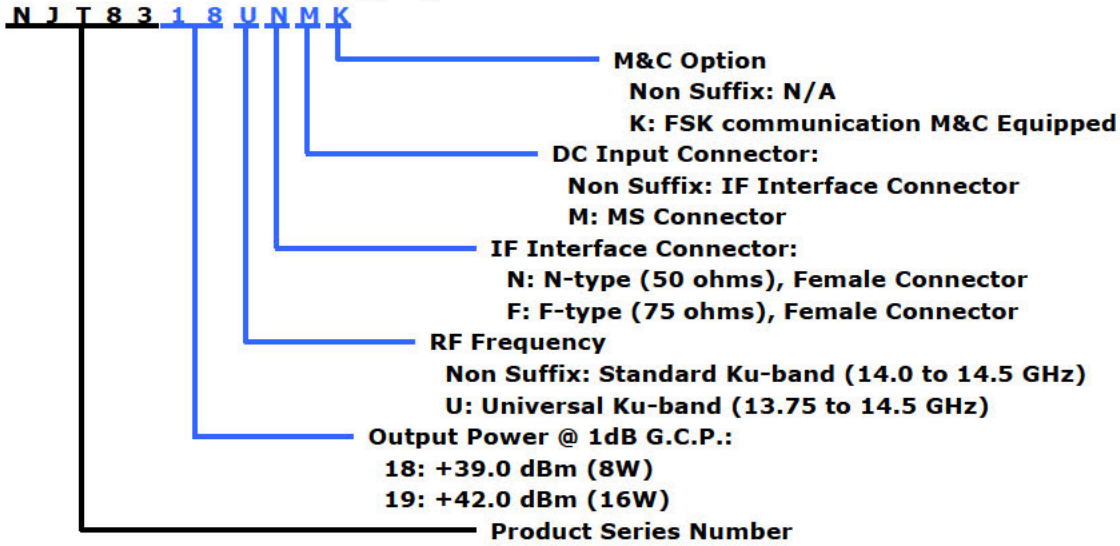
\*Note: The contents of this sheet are subject to change without notice.

# Universal/Standard Ku-band 8W/16W BUC

Coming  
Soon

## MODEL No. NJT8318 & NJT8319 series

### < Model Numbering System >



### < Specifications >

Item	Specifications	
	8W (+39 dBm min.)	16W (+42 dBm min.)
Output Power @ 1dB G.C.P. (P1dB)	+39 dBm min. over temperature	+42 dBm min. over temperature
Linear Gain	65 dB nom., 59 dB min.	68 dB nom., 62 dB min.
Gain Variation over frequency	Standard Ku-band: 5 dBp-p max. over 500 MHz / 2 dBp-p max. over 36 MHz Universal Ku-band: 5 dBp-p max. over 750 MHz / 2 dBp-p max. over 36 MHz	
Gain Stability over temperature	2 dBp-p typ., 5 dBp-p max.	
IM3	-28 dBc typ., -24 dBc max. @ total power ≤ Pout - 3dB	
ACPR	-28 dBc typ. @ Pout ≤ Pout - 1dB	
L.O. Phase Noise	-60 dBc/Hz max. @ 100 Hz -70 dBc/Hz max. @ 1 kHz -80 dBc/Hz max. @ 10 kHz -90 dBc/Hz max. @ 100 kHz -100 dBc/Hz max. @ 1 MHz	
Input V.S.W.R.	2 : 1 max.	
Output V.S.W.R.	2 : 1 max.	
DC Power Requirement		
(1) Voltage Range	+18 to +60 VDC	+36 to +60 VDC
(2) Power Consumption		
@ No IF Signal	65 W typ.	140 W typ.
@ P1dB	90 W max.	170 W max.
Mute	Shut off the HPA in case of L.O. unlocked or no 10 MHz reference signal	
LED Indicator	GREEN: L.O. locked / RED: L.O. unlocked (or no 10 MHz reference signal)	
M&C Function	FSK Modulation M&C: Power Monitor / TX On/Off Control / Alarm ... etc	
Temperature Range (ambient)		
Operating:	-40 to +75 C (Operation Guarantee) -40 to +55 C (Performance Guarantee)	
Storage:	-40 to +75 C	
Dimension & Housing	180 (L) x 130 (W) x 80 (H) mm [7.09" (L) x 5.12" (W) x 3.15" (H)] without interface connector and screws	
Weight	2.4 kg max. [5.3 lbs max.]	

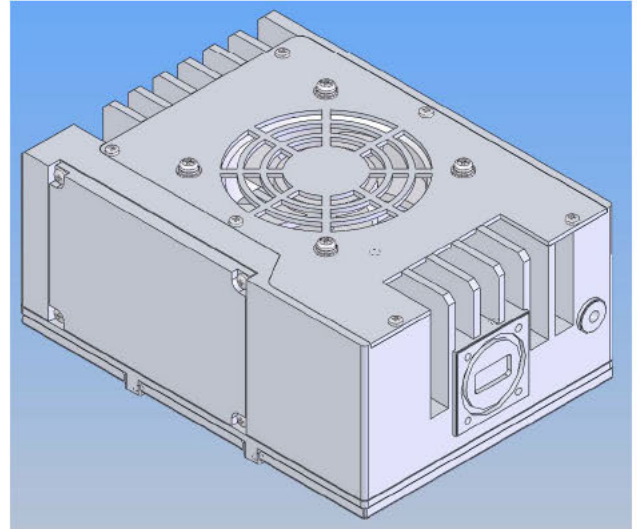
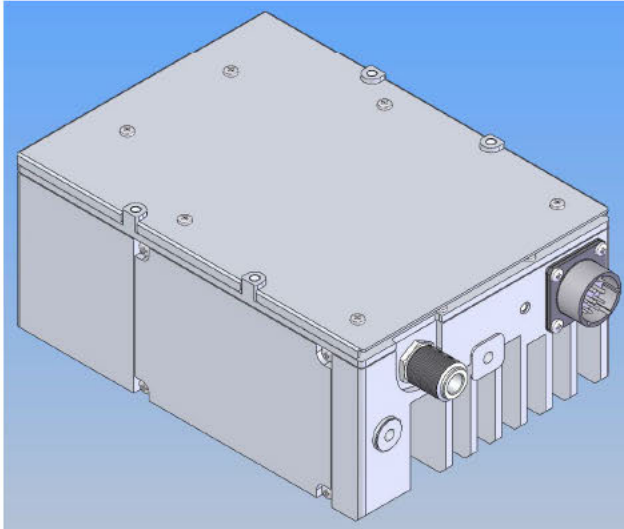
\*Note: The contents of this sheet are subject to change without notice

■ Universal/Standard Ku-band **8W/16W** BUC

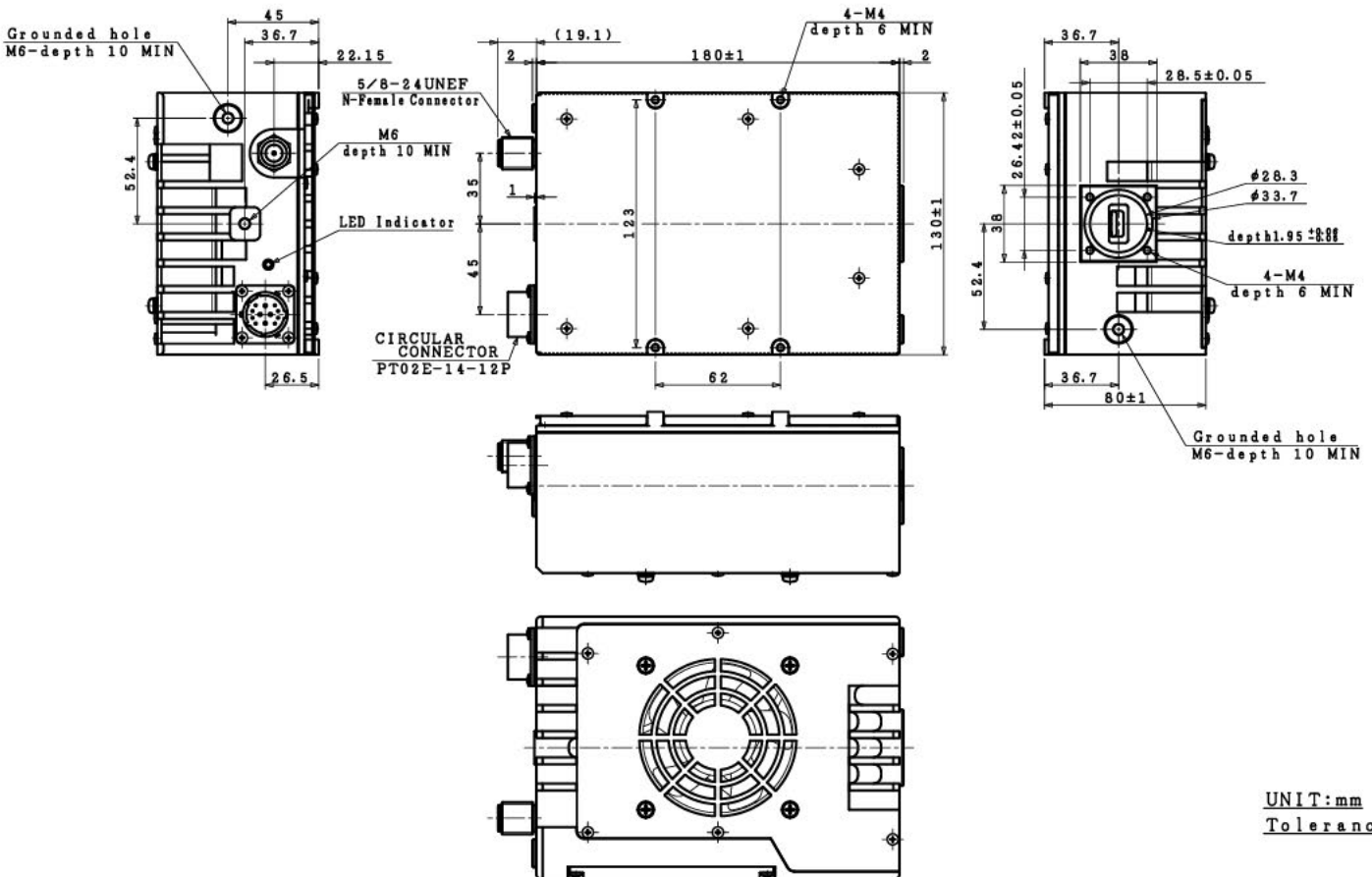
Coming  
Soon

MODEL No. **NJT8318 & NJT8319** series

< Outline >



< Drawing >



UNIT:mm  
Tolerance:±0.5

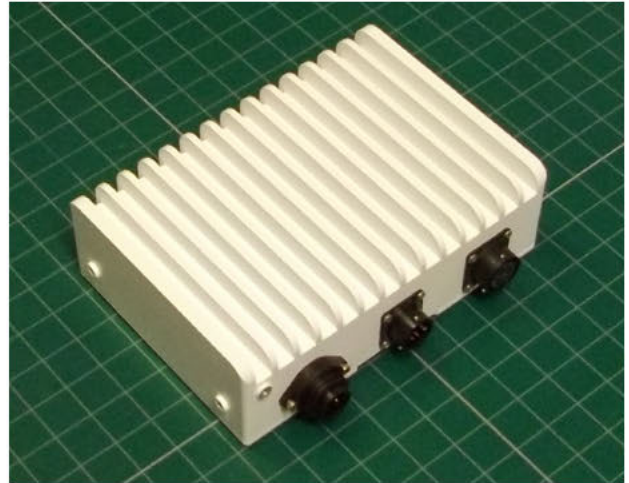
\*Note: The contents of this sheet are subject to change without notice.

**AC Power Operating Option**

**200W AC/DC Power Supply Unit (PSU) - ODU -**

**< Features >**

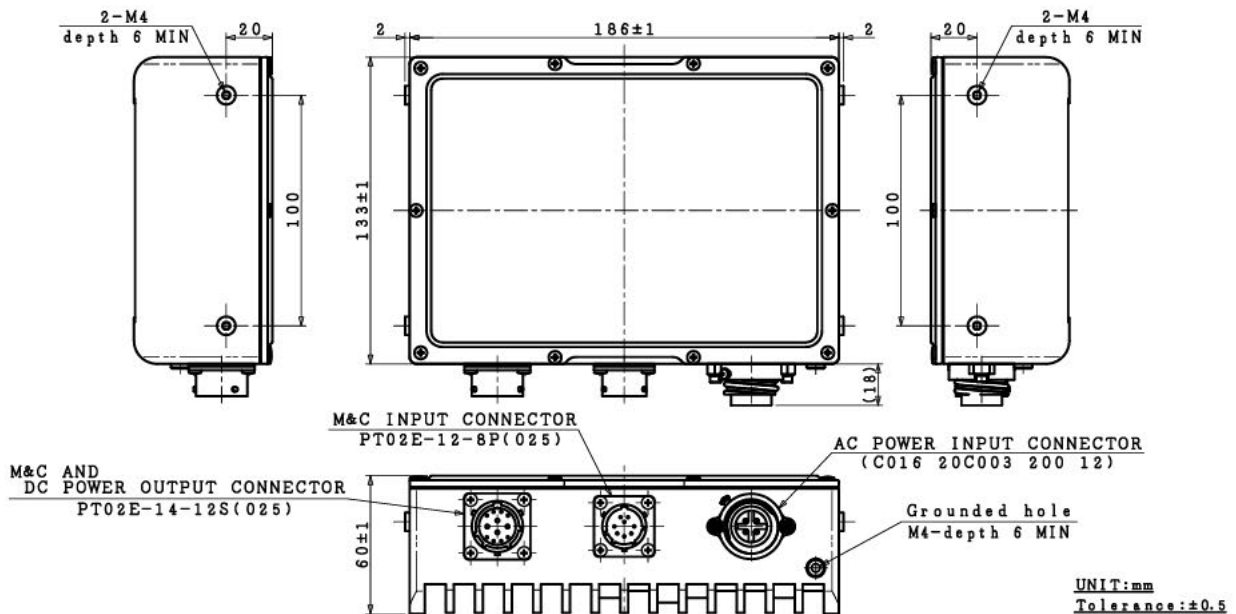
- \* **Outdoor AC/DC Power Supply**
  - Active Power Factor Correction (PFC) Equipped
  - Input AC Voltage: 90 to 240 V
  - Output DC Voltage: 48 V typ.
  - Output DC Power: 200 W max.
- \* **Smallest Size & Lightest Weight**
  - Dimension: 186 (L) x 133 (W) x 60 (H) mm
  - Weight: 1.6 kg



**< Specifications >**

Item	Specifications
Input AC Voltage Range	90 to 240 V
Input AC Power	300 VA max.
Output DC Voltage	+48 V typ.
Output DC Power Capacity	200 W max.
Efficiency	90 %
Power Factor	0.9
Temperature Range (ambient)	Operating: -40 to +55 C Storage: -40 to +75 C
Dimension & Housing	186 (L) x 133 (W) x 60 (H) mm [7.32" (L) x 5.24" (W) x 2.36" (H)] without interface connector and screws
Weight	1.6 kg max. [3.5 lbs max.]

**< Outline >**



\*Note: The contents of this sheet are subject to change without notice.