



Norsat
International Inc.

Intelligent Satellite Solutions



LNB

KU-BAND PLL

1000HE



TYPICAL SPECIFICATIONS

Noise figure	0.8 dB
L.O. stability (over temperature excl offset)	±25 kHz ±10 kHz
Phase noise (SSB)	-70 dBc/Hz at 1kHz -80 dBc/Hz at 10kHz -90 dBc/Hz at 100kHz
Input VSWR	2.5 : 1
Output VSWR	2.2 : 1

Conversion gain	55 dB
Output P1dB	5 dBm
Power requirements	+12 to +24 V supplied through center conductor of IF cable
Current drain	300 mA
Input Waveguide	WR75
Dimensions	130 (L) x 60 (W) x 42 (H) mm (5.1 x 2.4 x 1.7 in)
Weight	300g / 10.6 oz

FREQUENCY BANDS AVAILABLE

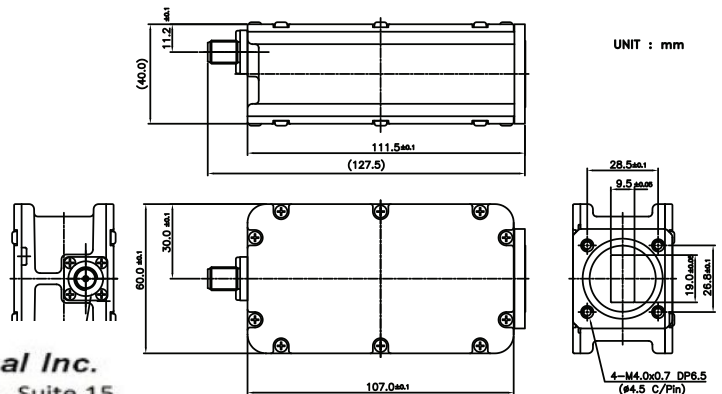
Typical service	1000HE
Input frequency (GHz)	10.95 to 12.75
L.O. frequency (GHz)	10.00 GHz
Output frequency (MHz)	950 to 2750

HOW TO ORDER

1208HEF

CONNECTOR	F - 75 Ohm N - 50 Ohm
FREQUENCY	E - 10.95 - 12.75 GHz
NOISE FIGURE	08 - 0.8 dB
L.O. STABILITY	2 - ±25 kHz 1 - ±10 kHz
LNB SERIES #	

MECHANICAL DIAGRAM



Digisat International Inc.
4195 W. New Haven Ave., Suite 15
Melbourne, FL 32904
USA
+1-321-676-5250
Email: sales@digisat.org
http://www.digisat.org

BUY NOW