



Norsat
International Inc.

Intelligent Satellite Solutions



LNB

C-BAND PLL

3000C

HIGH STABILITY



TYPICAL SPECIFICATIONS

Noise temperature	20 K, 25 K
L.O. stability (over temperature excl offset)	±5 kHz, ±10 kHz, ±25 kHz depending on model number
Phase noise (SSB)	-73 dBc/Hz at 1 kHz -83 dBc/Hz at 10 kHz -93 dBc/Hz at 100 kHz
Input VSWR	2.2 : 1
Output VSWR	2.2 : 1

Conversion gain	62 dB
Output P1dB	9 dBm
Power requirements	+12 to +24 V supplied through center conductor of IF cable
Current drain	330 mA
Input Waveguide	CPR 229G
Dimensions	180 (L) x 100 (W) x 70 (H) mm (7.1 x 4.0 x 2.8 in)
Weight	425 g / 15 oz
Temperature Range	-40°C to +60°C

FREQUENCY BANDS AVAILABLE

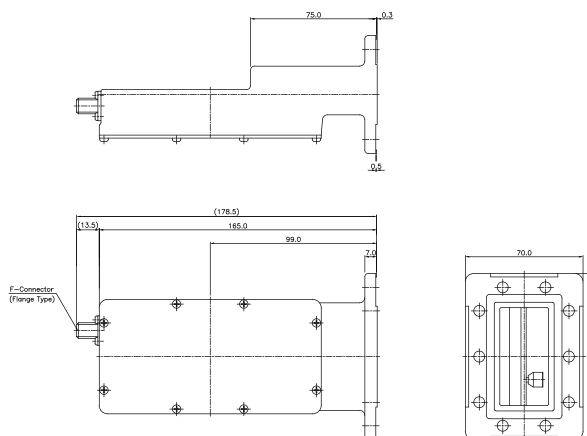
Input frequency (GHz)	3.625 to 4.20
L.O. frequency (GHz)	5.15
Output frequency (MHz)	950 to 1525

HOW TO ORDER

3120CN

CONNECTOR	F - 75 Ohm N - 50 Ohm
INPUT FREQUENCY	3.625 - 4.2 GHz
NOISE TEMPERATURE	20 - 20 K 25 - 25 K
L.O. STABILITY	1.0 ppm - ±5 kHz 2.0 ppm - ±10 kHz 5.0 ppm - ±25 kHz
LNB SERIES #	

MECHANICAL DIAGRAM



Digisat International Inc.
4195 W. New Haven Ave., Suite 15
Melbourne, FL 32904
USA
+1-321-676-5250
Email: sales@digisat.org
<http://www.digisat.org>

BUY NOW