



**Norsat**  
International Inc.

Intelligent Satellite Solutions



# LNB

## C-BAND EXT. REF.

### 3000X-2



### TYPICAL SPECIFICATIONS

<b>Noise temperature</b>	20K to 30K depending on model number
<b>L.O. stability</b>	Phase Locked to External Reference
<b>Phase noise (SSB)</b>	-75 dBc/Hz at 1kHz -85 dBc/Hz at 10kHz -95 dBc/Hz at 100kHz
<b>Input VSWR</b>	2.3 : 1
<b>Output VSWR</b>	2.0 : 1

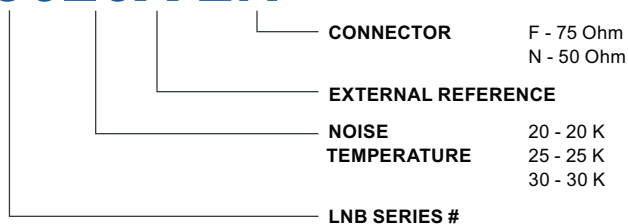
<b>Conversion gain</b>	62 dB
<b>Output P1dB</b>	5 dBm
<b>Power requirements</b>	+12 to +24 V supplied through center conductor of IF cable
<b>Current drain</b>	300 mA
<b>Input Waveguide</b>	CPR229G
<b>Dimensions</b>	144 (L) x 70 (W) x 98 (H) mm (5.7 x 2.8 x 3.9 in)
<b>Weight</b>	580 g / 18 oz
<b>Ext. Ref. Frequency</b>	10 MHz (sine-wave) -10 to 0 dBm
<b>Temperature Range</b>	-40°C to +60°C

### FREQUENCY BANDS AVAILABLE

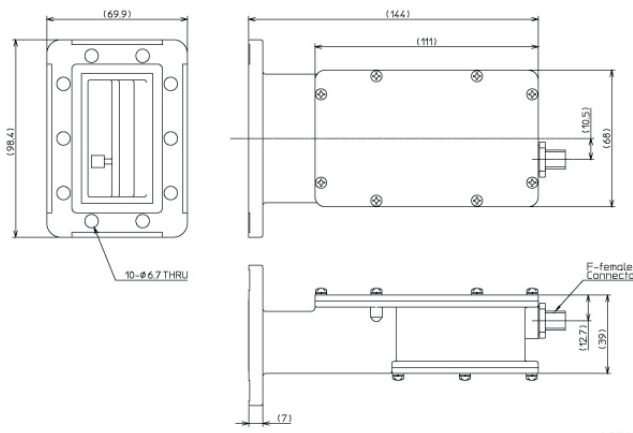
<b>Input frequency (GHz)</b>	3.40 to 4.20
<b>L.O. frequency (GHz)</b>	5.15
<b>Output frequency (MHz)</b>	950 to 1750

### HOW TO ORDER

## 3020X-2N



### MECHANICAL DIAGRAM



**Digisat International Inc.**  
4195 W. New Haven Ave., Suite 15  
Melbourne, FL 32904  
USA  
+1-321-676-5250  
Email: sales@digisat.org  
http://www.digisat.org

**BUY NOW**