



Norsat
International Inc.



Innovative Communication Solutions

LNB

C-BAND EXT. REF.

3000X



TYPICAL SPECIFICATIONS

Noise temperature	20 K to 30 K depending on model number
L.O. stability	Phase Locked to External Reference
Gain Flatness (-40°C to +60°C)	1dBp-p @ 36 MHz
Gain Variation @ Fixed Freq. (-40°C to +60°C)	6 dBp-p max
Phase noise (SSB)	-70 dBc/Hz at 1 kHz -83 dBc/Hz at 10 kHz -93 dBc/Hz at 100 kHz
Input VSWR	2.3 : 1
Output VSWR	2.0 : 1

Conversion gain	62 dB
Output P1dB	5 dBm
Power requirements	±15 to ±24 V supplied through center conductor of IF cable
Current drain	200 mA
Input Waveguide	CPR229G
Dimensions	180 (L) x 100 (W) x 70 (H) mm (7.1 x 4.0 x 2.8 in)
Weight	425g / 15 oz
Ext. Ref. Frequency	10 MHz (sine-wave) -10 to 0 dBm
Temperature Range	-40°C to +60°C

FREQUENCY BANDS AVAILABLE

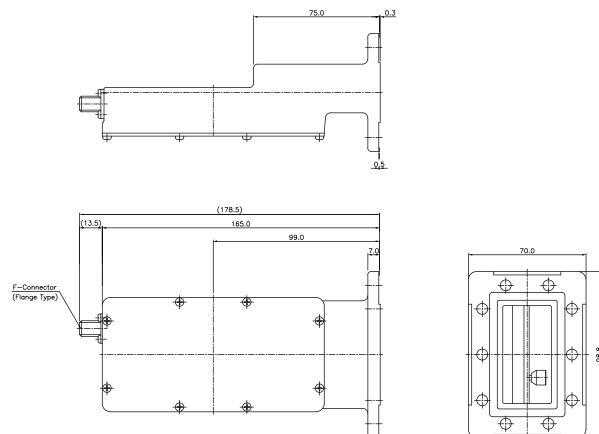
Input frequency (GHz)	3.40 to 4.20
L.O. frequency (GHz)	5.15
Output frequency (MHz)	950 to 1750

HOW TO ORDER

3020XN

CONNECTOR	F - 75 Ohm N - 50 Ohm
EXTERNAL REFERENCE	
NOISE TEMPERATURE	20 - 20 K 25 - 25 K 30 - 30 K
LNB SERIES #	

MECHANICAL DIAGRAM



Digisat International Inc.
4195 W. New Haven Ave., Suite 15
Melbourne, FL 32904
USA
+1-321-676-5250
Email: sales@digisat.org
http://www.digisat.org

BUY NOW

