



Norsat
International Inc.

Innovative Communication Solutions



LNB

KA-BAND DRO

9000



TYPICAL SPECIFICATIONS

Noise figure	1.3 dB
L.O. stability (over temperature excl offset)	±1 MHz
Phase noise (SSB)	50 dBc/Hz at 1kHz 65 dBc/Hz at 10kHz 90 dBc/Hz at 100kHz
Input VSWR	2.5 : 1
Output VSWR	2.3 : 1

Conversion gain	55 dB
Output P1dB	5 dBm
Power requirements	+15 to +24 V supplied through center conductor of IF cable
Current drain	175 mA
Input Waveguide	WR42
Dimensions	111 (L) x 42 (W) x 42 (H) mm
Weight	350 g / 12.5 oz
Temperature Range	40°C to + 60°C

FREQUENCY BANDS AVAILABLE

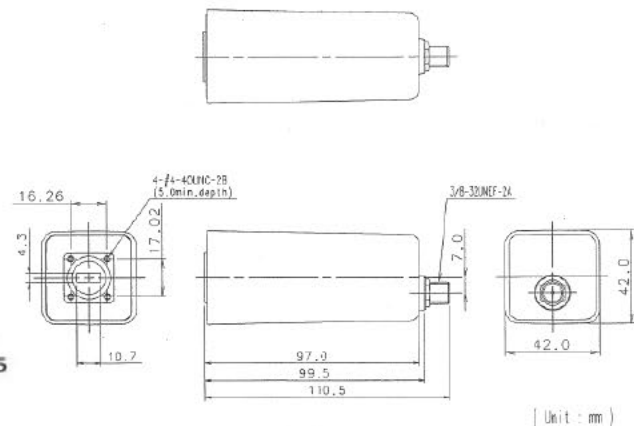
Typical service	9000A
Input frequency (GHz)	18.2 19.3
L.O. frequency (GHz)	17.25
Output frequency (MHz)	950 to 2050

HOW TO ORDER

9000AN

CONNECTOR	F 75 Ohm N 50 Ohm
FREQUENCY	18.2 19.3 GHz
LNB SERIES #	

MECHANICAL DIAGRAM



Digisat International Inc.
4195 W. New Haven Ave., Suite 15
Melbourne, FL 32904
USA
+1-321-676-5250
Email: sales@digisat.org
http://www.digisat.org

BUY NOW

