



LNB KA-BAND DRO 9000-2



TYPICAL SPECIFICATIONS

Noise figure	1.5 dB max.
L.O. stability	±2.0 MHz
Phase noise (SSB) max	-60 dBc/Hz @1KHz -80 dBc/Hz @10KHz -100 dBc/Hz@100KHz
Gain	60 dB typ., 55 dB min. @ full frequency band
Output P1dB	+ 5 dBm min
DC Power	+12V to +24V DC
Current	150 mA

Input (waterproof)	WR-42 waveguide
Output (waterproof)	F-connector (75 ohm) N-connector (optional) (50 ohm)
Dimensions	111mm (L) x 42mm (W) x 42mm (H)
Weight	300 g
Operating Temperature	-30 to + 60°C
Storage Temperature	-40°C to +80°C

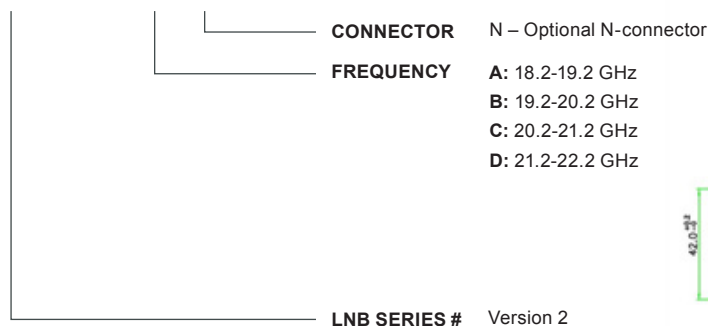
FREQUENCY BANDS AVAILABLE

	9000A-2	9000B-2	9000C-2	9000D-2
Frequency band (GHz)	18.2-19.2	19.2-20.2	20.2-21.2	21.2-22.2
L.O. frequency (GHz)	17.25	18.25	19.25	20.25
IF frequency (MHz)	950-1950	950-1950	950-1950	950-1950



HOW TO ORDER

9000AN-2



MECHANICAL DIAGRAM

