



## LNB KA-BAND PLL 9000H-2



### TYPICAL SPECIFICATIONS

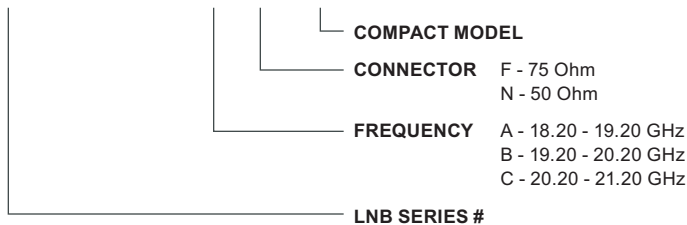
<b>Noise figure</b>	1.3 dB	<b>Conversion gain</b>	55 dB
<b>L.O. stability</b>	±40 kHz (2 ppm)	<b>Output P1dB</b>	3 dBm
<b>Phase noise (SSB)</b>	-75 dBc/Hz at 1 kHz -80 dBc/Hz at 10 kHz -100 dBc/Hz at 100 kHz	<b>Power requirements</b>	+15 to +24 V supplied through center conductor of IF cable
<b>Input VSWR</b>	2.2 : 1	<b>Current drain</b>	160 mA
<b>Output VSWR</b>	2.0 : 1	<b>Input Waveguide</b>	WR42
<b>Gain flatness over 1000 MHz</b>	4.0 dB p-p	<b>Dimensions</b>	111 (L) x 42 (W) x 42 (H) mm
<b>Gain variation over temperature @ fixed frequency (-40 to +60°C)</b>	5 dB max	<b>Weight</b>	350 g
		<b>Temperature Range</b>	-40°C to +60°C

### FREQUENCY BANDS AVAILABLE

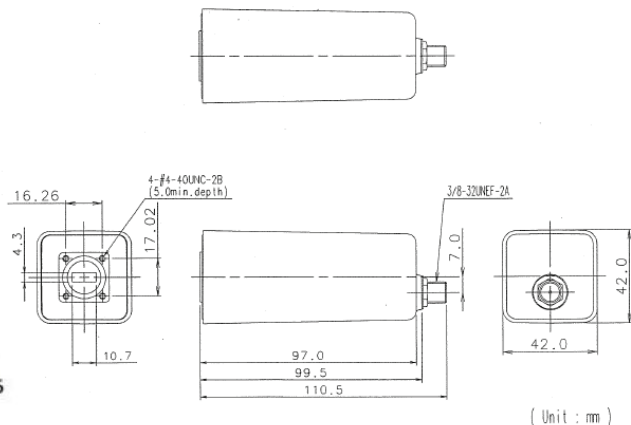
Typical service	9000HA-2	9000HB-2	9000HC-2
Input frequency (GHz)	18.20 to 19.20	19.20 to 20.20	20.20 to 21.20
L.O. frequency (GHz)	17.25	18.25	19.25
Output frequency (MHz)	950 to 1950	950 to 1950	950 to 1950

### HOW TO ORDER

## 9000HCN-2



### MECHANICAL DIAGRAM



**Digitat International Inc.**  
 4195 W. New Haven Ave., Suite 15  
 Melbourne, FL 32904  
 USA  
 +1-321-676-5250  
 Email: sales@digitat.org  
 http://www.digitat.org

**BUY NOW**

