



BDC KU-BAND 1000 SERIES



TYPICAL SPECIFICATIONS

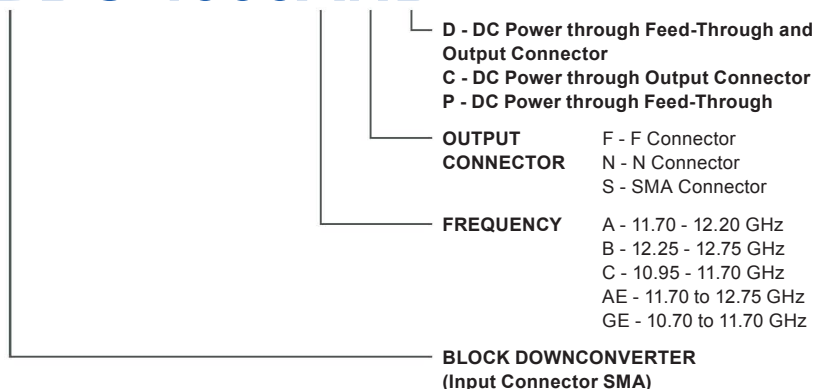
Noise figure	10 dB	Conversion gain	20 dB
L.O. stability (over temperature excl offset)	±30 kHz	Gain stability over temperature	±2.5 dB at any constant frequency
Phase noise (SSB)	-70 dBc/Hz at 1 kHz -85 dBc/Hz at 10 kHz -100 dBc/Hz at 100 kHz	Output P1dB	6 dBm
Input VSWR	1.9 : 1	Power requirements	+15 to +24 V
Output VSWR	2.0 : 1	Current drain	260 mA
		Dimensions	107 (L) x 78 (W) x 44 (H) mm (4.2 x 3.1 x 1.7 in)
		Weight	300 g / 10.6 oz
		Temperature Range	-40°C to +60°C

FREQUENCY BANDS AVAILABLE

Typical service	1000A	1000B	1000C	1000AE	1000GE
Input frequency (GHz)	11.70 to 12.20	12.25 to 12.75	10.95 to 11.70	11.70 to 12.75	10.70 to 11.70
L.O. frequency (GHz)	10.75	11.30	10.00	10.75	9.75
Output frequency (MHz)	950 to 1450	950 to 1450	950 to 1700	950 to 2000	950 to 1950

HOW TO ORDER

BDC-1000AND



MECHANICAL DIAGRAM

