



# BDC KU-BAND EXT REF 1000X SERIES



### TYPICAL SPECIFICATIONS

|                   |   |                                 |  |
|-------------------|---|---------------------------------|--|
| Noise figure      | 15 dB   | Conversion gain                 | 20 dB  |
| L.O. stability    | Phase Locked to External Reference                                    | Gain stability over temperature | ±2.5 dB at any constant frequency                    |
| Phase noise (SSB) | -70 dBc/Hz at 1 kHz<br>-85 dBc/Hz at 10 kHz<br>-100 dBc/Hz at 100 kHz | Output P1dB                     | 6dBm   |
| Input VSWR        | 1.9 : 1   | Power requirements              | +15 to +24 V   |
| Output VSWR       | 2.0 : 1   | Current drain                   | 260 mA   |
| Input Connector   | SMA (f)   | Dimensions                      | 107 (L) x 78 (W) x 44 (H) mm<br>(4.2 x 3.1 x 1.7 in) |
|                   |   | Weight                          | 300 g / 10.6 oz                                      |
|                   |   | Temperature Range               | -40°C to +60°C                                       |

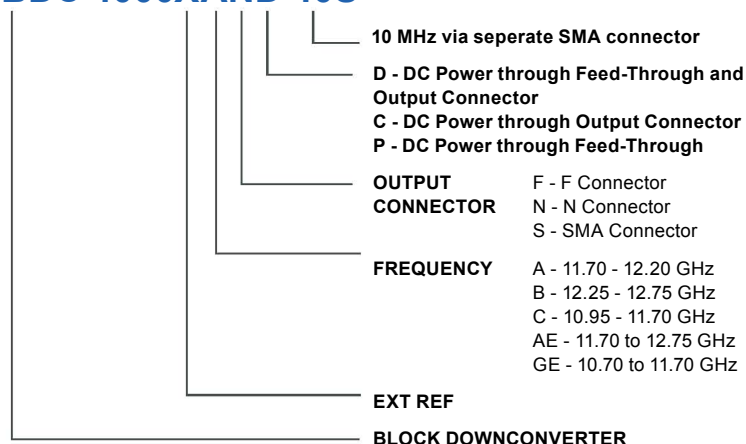
### FREQUENCY BANDS AVAILABLE

| Typical service        | 1000XA         | 1000XB         | 1000XC         | 1000XAE        | 1000XGE        |
|------------------------|----------------|----------------|----------------|----------------|----------------|
| Input frequency (GHz)  | 11.70 to 12.20 | 12.25 to 12.75 | 10.95 to 11.70 | 11.70 to 12.75 | 10.70 to 11.70 |
| L.O. frequency (GHz)   | 10.75          | 11.30          | 10.00          | 10.75          | 9.75           |
| Output frequency (MHz) | 950 to 1450    | 950 to 1450    | 950 to 1700    | 950 to 2000    | 950 to 1950    |



### HOW TO ORDER

#### BDC-1000XAND-10S



### MECHANICAL DIAGRAM

