



LNA

KU-BAND

4000 SERIES



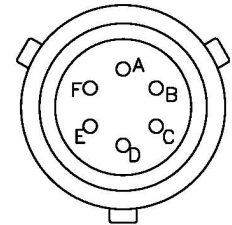
TYPICAL SPECIFICATIONS

| | |
|-----------------|------------------------------|
| Frequency | 10.7 - 12.75 GHz |
| Noise figure | 0.8 dB @ 23°C |
| Input VSWR | 2.0 : 1 |
| Output VSWR | 2.0 : 1 |
| Output P1dB | 8 dBm |
| Dimensions | 120 (L) x 60 (W) x 43 (H) mm |
| Weight | 400 g |
| Input Waveguide | WR75 |
| DC Power | MS3112E10-6P |

| | |
|--------------------|----------------|
| Gain | 55 dB |
| Gain flatness | 4 dB p - p max |
| Power requirements | +15 to +24 V |
| Current drain | 150 mA |
| Temperature range | -40°C to +60°C |

PIN-OUT

| Connector | Signal Name |
|-----------|----------------|
| A | Supply Voltage |
| B | GND |
| C | GND |
| D | NC |
| E | NC |
| F | NC |



Note: Mating connector is supplied.

HOW TO ORDER

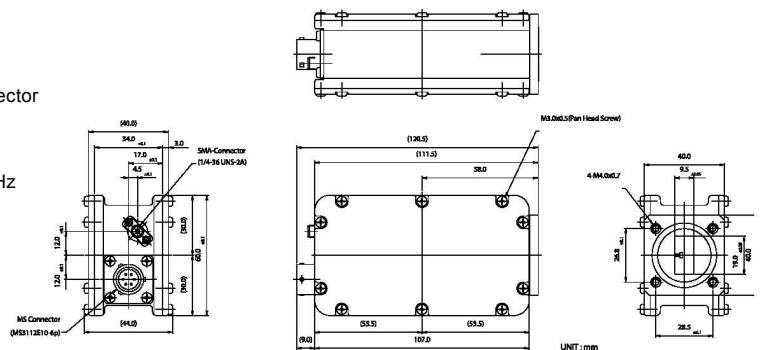
LNA-4000CS

| | |
|--------------|---|
| CONNECTOR | S - SMA Connector F- 75 Ohm N- 50 Ohm |
| FREQUENCY | 10.7 - 12.75 GHz |
| LNA SERIES # | |

Buy Now!



MECHANICAL DIAGRAM



Drawing No.: LNKU-XY01-RO