



LNA KU-BAND 4000 SERIES

LNA-4000CF



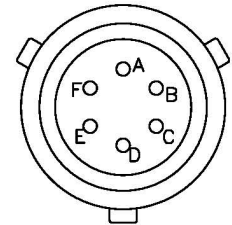
TYPICAL SPECIFICATIONS

Frequency	10.7 - 12.75 GHz
Noise figure	0.8 dB @ 23°C
Input VSWR	2.0 : 1
Output VSWR	2.0 : 1
Output P1dB	8 dBm
Dimensions	120 (L) x 60 (W) x 43 (H) mm
Weight	400 g
Input Waveguide	WR75
DC Power	MS3112E10-6P

Gain	55 dB
Gain flatness	4 dB p - p max
Power requirements	+15 to +24 V
Current drain	150 mA
Temperature range	-40°C to +60°C

PIN-OUT

Connector	Signal Name
A	Supply Voltage
B	GND
C	GND
D	NC
E	NC
F	NC



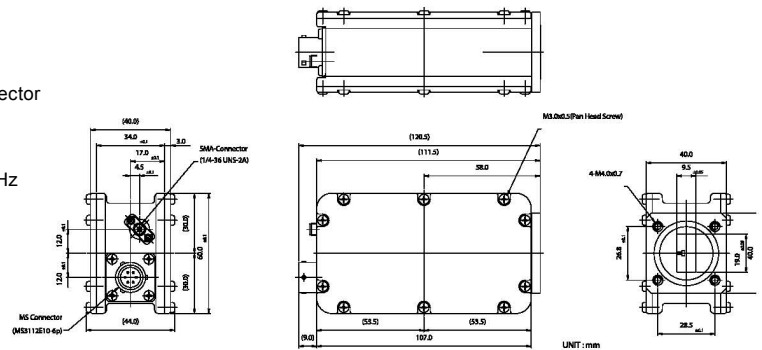
Note: Mating connector is supplied.

HOW TO ORDER

LNA-4000CS

CONNECTOR	S - SMA Connector F - 75 Ohm N - 50 Ohm
FREQUENCY	10.7 - 12.75 GHz
LNA SERIES #	

MECHANICAL DIAGRAM



Buy Now!



Drawing No.: LNKU-XY01-RO