



# LNA KU-BAND 4000 SERIES

LNA-4000CS



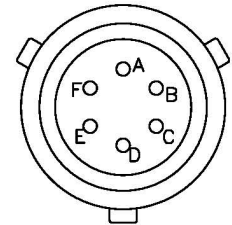
## TYPICAL SPECIFICATIONS

Frequency	10.7 - 12.75 GHz
Noise figure	0.8 dB @ 23°C
Input VSWR	2.0 : 1
Output VSWR	2.0 : 1
Output P1dB	8 dBm
Dimensions	120 (L) x 60 (W) x 43 (H) mm
Weight	400 g
Input Waveguide	WR75
DC Power	MS3112E10-6P

Gain	55 dB
Gain flatness	4 dB p - p max
Power requirements	+15 to +24 V
Current drain	150 mA
Temperature range	-40°C to +60°C

## PIN-OUT

Connector	Signal Name
A	Supply Voltage
B	GND
C	GND
D	NC
E	NC
F	NC



Note: Mating connector is supplied.

## HOW TO ORDER

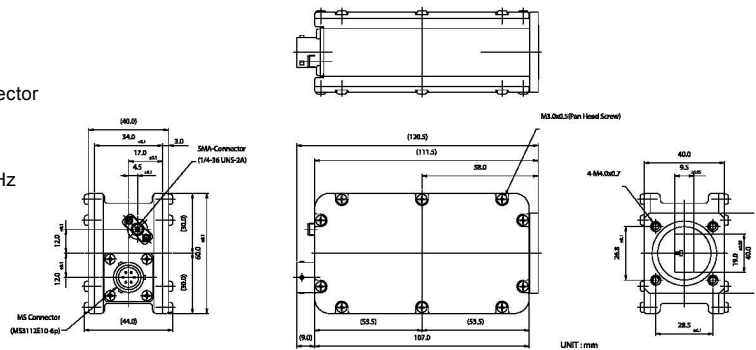
# LNA-4000CS

- CONNECTOR S - SMA Connector  
F- 75 Ohm  
N- 50 Ohm
- FREQUENCY 10.7 - 12.75 GHz
- LNA SERIES #

**Buy Now!**



## MECHANICAL DIAGRAM



Drawing No.: LNKU-XY01-RO