

PUL 140D

PULD01401200NZD000

140 MHz to 1200 MHz Data Grade Upconverter

Quintech PUL 140D

General Description:

The **PULD01401200NZDD00** is an ultra-stable frequency converter that translates a 140 MHz IF channel to a 1200 L-Band channel. Based on Quintech's PLL stabilized fixed channel frequency converters, the PUL features a stability performance that meets the IESS 308/309 standard, and is suitable for current high speed data transmission rates and high order modulations.

Specifications:

Input Frequency:	140 MHz IF
Output Bandwidth (-3 dB):	80 MHz
Input Power Level:	-50 to -20 dBm
Overall Gain/Loss:	0 dB \pm 2 dB
Output Frequency:	1200 MHz, non-inverting
L.O. Stability:	\pm 1 ppm
Input Return Loss:	12 dB
Output Return Loss:	10 dB
Spurious:	-50 dBc
Phase Noise:	Offset (Hz) (dBc/Hz)
	10 -60
	100 -75
	1,000 -76
	10,000 -78
	100,000 -99
	1,000,000 -110
Output Connector:	Type F, 75 Ω
Input Connector:	BNC, 75 Ω
Power Requirements:	100-240 V~, 50/60 Hz
Power Consumption:	17 W
Operating Temperature:	+10° to +60° C
Mechanical:	1 RU (1.75" H x 19" W x 12.5" D)
Weight:	7.5 lbs. gross (boxed), 5.0 lbs. net

Buy Now!



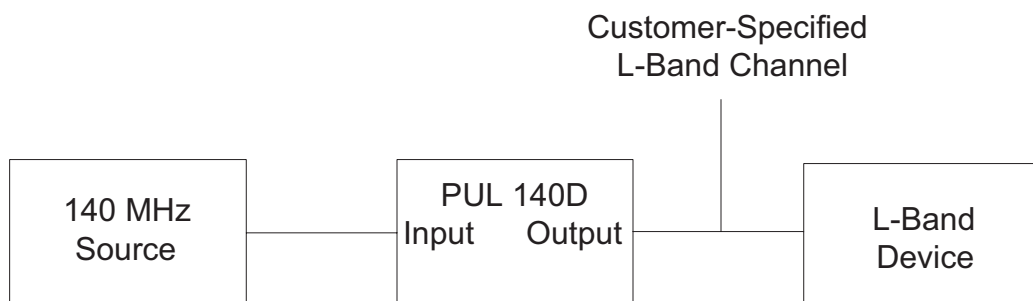
Quintech PUL 140D Front and Rear Panel:



Special Instructions:

To utilize the PULD01401200NZD000, connect a 140 MHz line to the "140 MHz" connector on the rear panel of the unit. The 1200 MHz L-Band channel will be present at the L-BAND connector, also on the rear panel. Primary power required is 100-240 V~, 2 Amp via the IEC AC connector.

NOTE: The PULD01401200NZD000 has been designed for indoor use only. Opening the unit will immediately void the warranty.



Digisat International Inc.
4195 W. New Haven Ave., Suite 15
Melbourne, FL 32904
USA
+1-321-676-5250
Email: sales@digisat.org
<http://www.digisat.org>