

VR7 1.8m Autopoint Antenna Technical Specifications

Mechanical

Reflector Type	1.8 meter Prodelin
Mount Geometry	Elevation over Azimuth
Polarization	Vertical or Horizontal: 270° on both polarities
Deployment Sensors	GPS, Inclinometer
Azimuth	380°
Elevation	157.5° (includes 22.5 offset of dish)
Polarization (Skew)	Both polarities can be skewed by 270°
Deploy Elevation	1.5°/sec
Deploy Azimuth	4.0°/sec
Peaking Speed	0.25° increments

Warranty

1 year warranty, extended warranty available

- *Intuitive touch screen controller supports auto or manual control*
- *Advanced self leveling feature aids in satellite acquisition*
- *1 year standard warranty*
- *Advanced peaking algorithm on cross-polarization alignment*
- *No software to install*
- *Unaffected by magnetic compass distortion*
- *Compatible with most satellite modems*
- *Handheld, 2U or 4U controller*
- *Available in custom colors and configurations*

Environmental

Deployed Wind Resistance	Has been tested at 68mph (100kph)
Stowed Wind Resistance	In excess of 87mph (140kph)
Operational Temperature	-40°C to 65°C/ -40°F to 150°F

Electrical

Transmit & Receive Cables	2 RG6 cables (35ft)
Control Cable	Interface cable (35ft) *Longer cables available
Transmit Power	1 to 200 Watt
Frequency	Ku Band

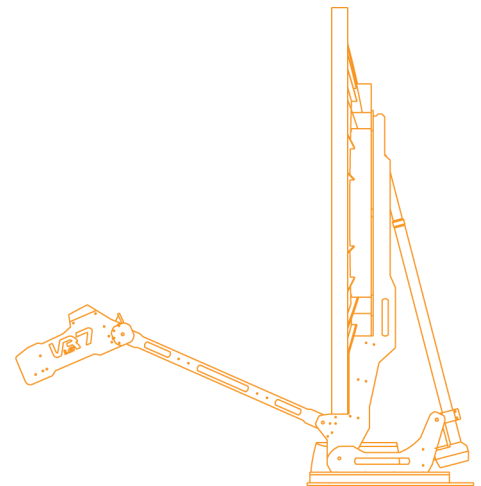
Physical

Length Stowed	111" (2.8m)
Width Stowed	71" (1.8m) w/reflector 19.5" (0.5m) w/o reflector
Height Stowed	16.5" (0.4m)
Weight	225lbs (102kg) w/o reflector and RF equip.

Solid State Controller

Standard Controller	Visual displays of azimuth, elevation, cross pole and signal strength. Controller has momentary buttons for all axis control movements.
Dimensions	7.5"l x 6.38"w x 1.75"h (190mm x 162mm x 44mm) *Custom rack mounts available
Interface	Serial or Ethernet
Electrical	100-240 VAC / 36 VDC

*Optional 2U or 4U Controller available



Digisat International Inc.
4195 W. New Haven Ave., Suite 15
Melbourne, FL 32904
USA
+1-321-676-5250
Email: sales@digisat.org
<http://www.digisat.org>