

FEATURES

- ▶ Outdoor SSPA with Integrated BUC
- ▶ Compact, Lightweight Package
- ▶ Industry Leading Efficiency
- ▶ Flexible Power Source
- ▶ Zero Warm Up Time
- ▶ 1:1 Redundancy Kits Available



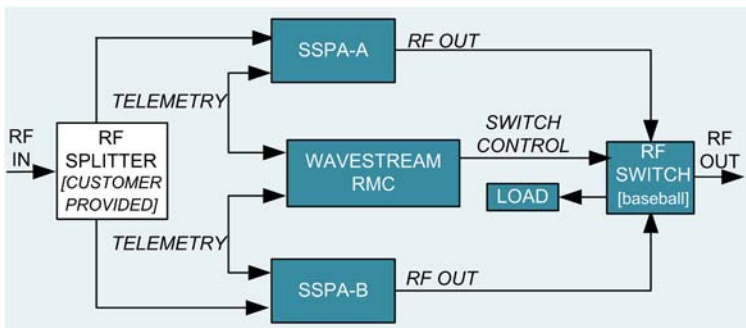
Ku-Band PowerStream Block Upconverter

The Wavestream Advantage:

- Higher output power with less energy usage.
- Compact product footprint to meet critical space and weight limitations.
- Proven reliability and efficiency.
- Reduced lifecycle maintenance costs.



1:1 Redundant Configuration (optional)



The PowerStream® 200W Ku-band amplifier is a rugged, compact solid state power amplifier (SSPA) with integrated block upconverter (BUC) suitable for fixed and mobile satellite communications with high data rate or multicarrier requirements. The PowerStream 200W Ku-band amplifier is an outdoor, environmentally sealed product that can be mounted close to the antenna feed to reduce waveguide loss. As with all Wavestream products, the PowerStream 200W Ku-band amplifier is fully tested over the entire operating temperature range and frequency band to guarantee in-spec performance under all operating conditions.

Optional 1:1 Redundancy Kits are available to provide an integrated solution for uninterrupted, reliable broadcast satellite transmissions. The 1:1 Redundancy Kit integrates the waveguide, switch and mounting hardware, and offers ease of installation and subsequent maintenance to accommodate outdoor mounts.



RF Specifications

Transmit Frequency - Standard - Extended Band Option	14.0 - 14.5 GHz 13.75 - 14.5 GHz
IF Frequency - Standard - Extended Band Option	950 - 1450 MHz 950 - 1700 MHz
Frequency Reference (10 MHz on IF)	0 dBm \pm 5 dB
Small Signal Gain	70 dB minimum
Gain Adjustment	20 dB, 0.25 dB steps nominal
Gain Variation (over frequency at fixed temperature)	3 dB over 500 MHz 0.6 dB over 36 MHz
Gain Variation (over temperature at fixed frequency)	3 dB p-p over operating range
Saturated Output Power	53 dBm (nominal)
P₁ dB Output Power *	>+51.8 dBm
Rated Output Power *	+51.8 dBm
Intermodulation * (Third order intermodulation product relative to combined power of two carriers at 3 dB total power back-off from Rated Output Power)	-25 dBc
Spectral Regrowth (For QPSK at 1.5x and for OQPSK at 1.0x symbol rate offset at 2 dB back-off from Rated Output Power)	-30 dBc
Phase Noise	Meets IESS-308
AM/PM Conversion (up to 2 dB below Rated Output Power)	2 deg/dB
Noise Power Density - Transmit	-70 dBW/4 kHz (maximum)
Noise Power Density - Receive	-150 dBW/4 kHz
Output Spurious	-55 dBc

Power

AC Power	90-264 VAC, 50-60 Hz
AC Power Draw (typical) (at Rated Output Power)	1300W
AC Power Draw (at 3dB Back-off from Rated Output Power)	1100W

*Guaranteed over temperature and frequency

Ku-Band PowerStream Block Upconverter

200W

Interfaces

IF Input Connector	Type N Female
IF Input Impedance	50 ohms
IF Input VSWR	2:1 maximum
RF Output Connector	WR-75
RF Output VSWR	1.25:1 maximum
RF Sample Port Connector	Type N Female (nominally -45 dBc)
RF Sample Port	-46 dBc (typical)
AC Connector	4-Pin Connector, Male Amphenol C016 20C003 100 12
Monitor & Control Connector	19-Pin Military Circular, Male MS3112E14-19P
Monitor & Control	Serial RS-485 (SA-bus), Forward Power Monitor, Step Attenuator, Ethernet with SNMP Support
LED Indicator	Summary Fault, Loss of Lock, Inhibit

Physical

Size	20.75"L x 10.25"W x 7.85"H
Weight	42lbs
Operating Temperature (Ambient Air)	-40°C to +60°C
Relative Humidity	100% Condensing
Shock & Vibration	Designed to withstand 20G at 11 ms ½ sine wave non-operating conditions, and MIL-STD-810E, method 514-4 transportation vibration
Altitude	10,000 ft above sea level (operating)

Options

1:1 Redundancy Kit - to include waveguide, switch, cable connectors, and mounting hardware

Rack Mount Controller - 1U rack mount chassis to control any Wavestream amplifier in a 1:1 configuration with LCD display and key status LEDs

Indoor to outdoor cable assemblies - available in 25', 50' or 100' lengths

Base Model Number

POB-KUS200

POB-KUE200



Digisat International Inc.
4195 W. New Haven Ave., Suite 15
Melbourne, FL 32904
USA
+1-321-676-5250
Email: sales@digisat.org
<http://www.digisat.org>